

OAK TREE REPORT

MAHMOUD RESIDENCE
 22534 CALIPATRIA DRIVE
 February 09, 2024
 (revised 3-21-24 and 5-13-24)

Mahmoud Residence
 22534 Calipatria
 Calabasas, CA 90302

Attn.: Mahmoud Mori

SUBJECT SITE:

OAK TREE REPORT FOR THE MAHMOUD RESIDENCE AT 22534 CALIPATRIA DRIVE IN THE CITY OF CALABASAS, CALIFORNIA 91302

GENERAL STATEMENT:

On February 3, 2024, an Oak Tree "survey" was conducted at the Subject Site. A ground level field inventory and external details (caliper size, physical and aesthetic character) were recorded, based upon the existing conditions. Three (3) individual on-site Oak Trees were "surveyed" and evaluated for its present condition based on the Client's concern for the Trees' general health and proposed new Home Construction activity and possible removal of one (1) OAK Tree and encroachments into the "Protected Zone" of two (2) other Oak Trees. The three Trees are identified as *Quercus agrifolia* (Coast Live Oak). Each Trees has been "tagged" with a 1" X 3 1/8" aluminum flag at dsh (diameter at standard height above grade, all of which is at or above 54") with tag numbers of MOT-1, MOT-2 and MOT-3. In addition to these Oak Trees, there are several non-Oak on-site and directly adjacent off-site landscape trees. See the results of the "survey" shown on the attached Tree Evaluation Forms, Photo Logs, Oak Tree Sections, Tree Map and as outlined herein, for specific notes, encroachment calculations, mitigation values, comments and recommendations.

PURPOSE AND SCOPE

The purpose and scope of this report, in accordance with the City of Calabasas Ordinance #2001-166 and Chapter 17.32.010 of the City's Oak Tree Preservation and Protection Guidelines, is to identify native and "planted" oak species and evaluate their present condition. A report on impacts, if known, and proposed mitigation measures is required for submittal to the City for review by the Planning Department, if any work is planned to take place in or within the "Protected Zone" of any *Quercus* genus, measuring two inches (2") at four feet six inches (4'-6") above its natural grade. The City OAK TREE PRESERVATION AND PROTECTION GUIDELINES define an Oak tree as "Any tree of the genus *Quercus* having a diameter greater than 1 inch when measured 12 inches above grade.



SITE CONDITIONS

The site for the existing Oak Trees is located along the easterly up-slope of the rear yard of 22534 Calipatria Drive, in the Mulholland Heights neighborhood area of the City of Calabasas. The existing site is a relatively flat pad with an easterly ascending up-slope at the easterly rear of the property, a northerly down-slope to Calipatria Drive and a westerly down-slope to a neighbors property. The Site is bounded by developed residential properties to the west, south east and to the north across Calipatria Drive.

Oak Tree MOT-1 is located near the bottom of the front yard slope, next to an existing wall pilaster, in the northeast quadrant of the property. There is a planned new home construction and this existing Oak Tree is located within the building footprint and proposed to be removed.

Oak Tree MOT-2 is located in the middle of the easterly rear yard slope and is proposed to be protected-in-place.

Oak Tree MOT-3 is also located in the middle of the easterly rear yard slope and is proposed to be protected-in-place.

See the Oak Tree Sections and Oak Tree Map for location of the reported-on trees.

WORK PROCEDURES (AS APPLICABLE)

All work, as applicable, (construction/maintenance activities) around the existing Oak Trees, shall follow the following work procedure program. This program has been developed*to minimize the impacts to each Tree and protect them from unscheduled damage and unauthorized treatment per the following:

1. **All work** within the Oak Tree aerial/root zone, even though this zone may be outside the approved Oak Tree protection fencing, shall be regularly observed by the Project Consulting Arborist (Project Arborist).
2. The extent of all new construction work affecting Oak Trees shall be staked, where applicable, by field survey and reviewed by the Project Consulting Arborist.
3. Any approved pruning shall be done by a qualified Tree Trimmer, and observed by the Project Consulting Arborist.
4. **Hand dig** vertical trenches for walls/footings or fence posts at the final cut line to the final grade level to determine whether "bridging-over," moving footings/posts or clean cutting and sealing any and all roots encountered, is appropriate, as approved by the Project Consulting Arborist. (This procedure will protect the root system from unnecessary damage by excavation equipment).
5. All footings for wall construction (as applicable) shall be designed to provide minimal or no impact to the Tree; and, "L" type footings shall be projected in an outward direction, away from the Tree and shall be backfilled with topsoil.
6. Unless waived, a five (5') foot high temporary chain link fence shall be constructed at the approved/ permitted work limit, and as directed, to protect the tree(s) from unauthorized damage. This fence shall remain in place until completion of construction. Should any work be necessary within the "Protected Zone", and the temporary fence must be opened, the Nothing Project Consulting Arborist must direct all work within the "Protected Zone" at any time the fence is open.
7. No work within the aerial/root zone of the Oak Trees shall be done beyond that which was approved/permitted without obtaining written approval prior to proceeding.
8. The area within the chain link fence shall not be used for material or equipment storage or parking at any time.

9. No chemicals or herbicides shall be applied within 100' of an Oak Tree's aerial/root zone.
10. Copies of the following shall be maintained on the site during any work to or around the Oak Trees, as applicable:

Oak Tree Report
Oak Tree Permit
Engineering Plans
Project Conditions
Oak Tree Ordinance 2001-166
Approved Site Plan

During any construction and/or treatment, Tree work and impacts must be monitored to further mitigate shock symptoms, should they occur. Temporary water must be provided to irrigate the Trees and to wash the dust from the foliage, as directed by the Project Consulting Arborist.

PROTECTION

A construction limit for Tree "Critical Root Zone," is required to protect the structural stability of the Tree. The "Critical Root Zone," is a minimum of seven (7) times the diameter of a Tree, therefore severing of significant roots in that area is not recommended.

Because of Site Limitations, it is recommended that the requirement for a minimum five (5') foot chain link fence be installed at the limit of the "Protected Zone," **be waived**; and, that $\pm 4'$ ht. Plastic orange construction fencing be placed at the construction activity limit, near the Oak Trees to be Protected-in-place. The orange plastic fencing must be in place prior to clearing, grubbing, demolition, grading, construction, construction and/or treatment, in order to protect the sensitive Z.O.N.E./fenced area, during all work operations.

Z.O.N.E = "Zone Of Nutraire Endemic" (the area of natural or amended planting medium that may extend to or beyond the dripline of a native tree). Oak Tree care and maintenance information, as provided by the City of Calabasas, should be followed, as well as regular monitoring throughout each tree's life cycle, by a qualified Project Consulting Arborist. The Project Consulting Arborist must "function as the fence" for any work necessary within the Z.O.N.E. and/or fenced area, while directing or observing work in and near any Oak Tree.

EVALUATION CRITERIA

In evaluating Oak Trees, as with any other trees, the reporting format records the external observation of the Oak Trees at the time of the "survey," including trunk size by diameter at breast/standard height (4'-6" above grade), spread of the branching system, from the trunk to the outer dripline, approximate height of the Oak Trees' canopy, surface observation of the Trees' conditions and other pertinent information. The rating designation assigns health and aesthetic values for each Tree.

Ratings from "A" to "F," with an "A" rating as the indicator of a tree exhibiting the best condition of the species as compared to other Oak Tree species located in the general area of the site, and the lower letters indicating lesser ratings of the species as compared to other Oak Tree species located in the immediate site area. A "B" rating represents an above average condition for the species. The "C" rating represents an average condition for the species. The "D" rating represents a below average condition for the species. And, the "F" rating means that the tree is either dead or a candidate for removal for health or hazard reasons. Plus (+) and minus (-) sub-ratings are assigned where a clear letter designation is not appropriate. An "E" rating is **not** used in order to avoid confusion with the term "Excellent."

investigated, no warranties, neither expressed nor implied, are made that the Oak Trees, in this Report, will be in any condition other than as observed and reported herein beyond the date of the inventory walk-thru ("survey"). . The preferred maintenance in the care of native Oak Trees is to leave them in their "natural" state/habitat and to promote and encourage proper vigor within the Oak Trees' systems. In this way, the Oak Trees' natural defenses are better able to ward off pests and diseases.

CONSTRUCTION AND MAINTENANCE PROCEDURES

According to the "City" Oak Tree Ordinance 2001-166, all work, should it be necessary within the "Protected Zone" (that area enclosed by a concentric line five (5') feet beyond the natural dripline of an Oak Tree, but not less than fifteen (15') feet from the trunk), shall be done using hand tools under the observation of the Project Consulting Arborist. For "Heritage Oak" trees (24" or greater in trunk diameter), the Protected Zone extends to fifty feet (50') from the Heritage Tree's trunk. This also includes pruning/trimming for clearance, structural improvement and/or hazard. Pruning for aesthetics is not allowed nor included in the Ordinance.

Current maintenance procedures for the Oak Trees at the 22534 Calipatria Drive property, consists of the following (refer to the Tree Evaluation Forms, Photo Logs, Oak Tree Sections and Tree Map for graphics and additional notes):

GENERAL:

It is our recommendation that the following treatment(s) to the appropriate tree(s) be implemented:

In this case, because of Site Constraints and the proposed New Home construction activities, it is recommended that the chain Link Oak Tree Protection Fencing be waived in favor of $\pm 4'$ high orange Plastic Construction fencing, as directed by the Project Consulting Arborist and as approved by the City.

No spray irrigation shall come in contact with any Oak Trees' trunk. It is also recommended that any above-ground irrigation spray system(s), within the dripline of Oak Trees, be retrofitted using a sub-surface "dripline" type irrigation system. A three inch deep oak wood chip mulch, over a jute mesh erosion control blanket of five feet (5'), is recommended for a landscape clearance from the trunk of each Oak Tree.

The Project Consulting Arborist shall be contacted to monitor and direct the protection of the Oak Trees in the area of locating the temporary orange plastic fencing, site clearing, demolition, grading and construction activities within the "Protected Zones" of each Oak Tree.

Pruning of any branches required for construction and clearance, shall be as directed by the Project Consulting Arborist; however, no pruning of any Oak Tree is proposed at this time.

Removal of deadwood, clean-cutting of branch stubs and broken branch scars, and the cleaning and screening of water traps and trunk/branch cavities, shall be as directed by the Project Consulting Arborist.

Careful removal of "fill" and debris from the base of any Oak Tree's Trunk and branching, shall be as directed by the Project Consulting Arborist.

Protection of all active wildlife nest and habitat prior to, during and after the construction activities, shall be as directed.

Protection of "duff" areas, so as to allow Oak Tree seedlings to germinate and grow, shall be as directed.

Final determination for the treatment of the Oak Trees, shall be as directed by the Project Consulting Arborist (Project Arborist). In addition to these procedures, a periodic (at least quarterly) monitoring for declining branching system is recommended.

IMPACTS AND TREATMENT:

The canopy of Oak Trees MOT-2 and MOT-3 are not expected to be negatively impacted by or pruned for clearance for the proposed new home construction activity area. However, there may be moderate to significant root pruning for the construction of a new concrete block retaining wall about six feet ($\pm 6'$) to the west and downhill from the trunk of Oak Tree MOT-2 and about eight feet ($\pm 8'$) to the west and downhill from the trunk of Oak Tree MOT-3.

It is anticipated that moderate to significant roots may be encountered in the dripline area of Oak Tree MOT-2 and MOT-3, during the carefully "hand-digging" of the proposed new improvements and any construction activity. However, should any root(s) of significant size be encountered, a Site determination will be made as to whether or not to cleanly sever, bridge-over or adjust the locations of the adjacent proposed improvements and construction activity areas, so as to allow for the protection of any Oak Tree. It is recommended that pervious pavers and other pervious material be installed, near any Oak Tree's "Protected Zone" for the newly proposed construction elements, to allow for the necessary sub-surface gaseous exchange. The impacts are estimated in the encroachment calculation below.

SUMMARY

Although the proposed new home construction activity areas encroach into the "Protected Zones" of Oak Trees MOT-2 and MOT-3, it is anticipated that no long term negative effects are expected to affect root or canopy areas of these Trees.

Because of the location of the proposed new retaining wall improvements, Oak Trees MOT-2 and MOT-3 may need to have some moderate to significant root pruning. It is recommended that exploratory trenches be excavated on their easterly sides, and at the depth, of the newly proposed retaining wall, for location(s) of possible moderate to significant roots from Oak Trees MOT-2 and MOT-3, in the root zone of each Oak Tree.

The "below" Encroachment Calculation and Mitigation Values appear to indicate potential damage to Oak Trees MOT-2 and MOT-3. This does not take into account that these Oak Trees have adapted well to the existing retaining wall. It is my opinion that the proposed new retaining wall, which is just beyond the "Critical Root Zone" of each Oak Tree, and with the proper mitigation measures, will not pose any significant long-term negative effects upon Oak Trees MOT-2 and MOT-3.

ENCROACHMENT CALCULATIONS:

MOT-1 Average "dripline" diameter = 13.50'
Average "dripline" radius = 6.75'
Average "Protected Zone" diameter = 31.00'
Average "Protected Zone" radius = 15.50'

Total Area of "Protected Zone" = $15.5 \times 15.5 \times 3.1416 = \pm 755.83$ sq. ft.
Area of new "Protected Zone" encroachment = ± 755.83 sq. ft.
Percentage of encroachment = $\pm 100\%$

MOT-2 Average "dripline" diameter = 19.50'
Average "dripline" radius = 9.75'
Average "Protected Zone" diameter = 31.00'
Average "Protected Zone" radius = 15.50'

Total Area of "Protected Zone" = $16.25 \times 16.25 \times 3.1416 = \pm 829.58$ sq. ft.
Area of new "Protected Zone" encroachment = ± 140.00 sq. ft.
Percentage of encroachment = $\pm 1.4\%$

MOT-3 Average "dripline" diameter = 26.25'
Average "dripline" radius = 13.125'
Average "Protected Zone" diameter = 36.25'
Average "Protected Zone" radius = 18.06'

Total Area of "Protected Zone" = $18.125 \times 18.125 \times 3.1416 = \pm 1,032.06$ sq. ft.
Area of new "Protected Zone" encroachment = ± 45.00 sq. ft.
Percentage of encroachment = $\pm .4.4\%$

MITIGATION VALUES:

We are herein submitting the "Production Replacement Cost" (PRC Value) for the damage and/or loss of Oak Tree canopy/roots from the proposed property improvements. The replacement/damage for Oak Trees under 7" in diameter at breast height (54") is the value of each Oak Tree by its planted nursery container size equivalent. The following Oak Trees are proposed to be impacted by grading and/or construction activities:

MOT-1 The basic formula is a two (2) three inch (3") diameter inch box Trees worth \$ 2,000.00:

The condition of this Tree is estimated to be 63%

$\$2,000.00 \times .63 = \$1,260.00$ (Condition Value)

The impact(s) to this Tree is estimated to be 100.00%

$\$1,260.00 \times 1.00 = \$1,260.00$ (Impact Value)

TOTAL PRC IMPACT VALUE = \$1,260.00

MOT-2 The basic formula is \$4,600.00 + \$2,700.00 (Tree Diameter - 7"):

$\$4,600.00 + \$2,700.00 (2.375") = \$11,012.50$

The condition of this Tree is estimated to be 77%

$\$11,012.50 \times .77 = \$8,479.625$ (Condition Value)

The new impact(s) to the Protected Zone area of this Tree is estimated to be 1.4%

$\$8,479.625 \times .014 = \118.71 (Impact Value)

TOTAL PRC IMPACT VALUE = \$118.71

MOT-3 The basic formula is \$4,600.00 + \$2,700.00 (Tree Diameter - 7"):

$\$4,600.00 + \$2,700.00 (8.25") = \$26,875.00$

The condition of this Tree is estimated to be 77.0%

$\$26,875.00 \times .77 = \$20,693.75$ (Condition Value)

The impact(s) to this Tree is estimated to be 4.4%

$\$20,693.75 \times 4.4 = \910.525 (Impact Value)

TOTAL PRC IMPACT VALUE = \$910.53

MITIGATION , MAINTENANCE AND MONITORING:

Mitigation for the necessary removal of Oak Tree MOT-1, includes the on-site planting of two (2) thirty-six inch (36") box sized nursery-grown specimen Oak Trees. Monitoring of the two (2) mitigation Oak Trees, shall be based upon the Oak Trees' generally accepted semi-annual growth cycles. The property Owner/Applicant shall call upon the Project Consulting Arborist to provide the City-required semi-annual monitoring site-visits for a period of five (5) years, after the initial planting of the two (2) mitigation Oak Trees, as well as overseeing the needs of the two (2) existing on-site Oak Trees MOT-1 and MOT-3. The Owner shall call upon the Project Consulting Arborist to prepare the City-required semi-annual Reports, which the Owner/Applicant will submit to the City, on the conditions of these four (4) monitored Oak Trees.

Maintenance of the two (2) thirty-six inch (36") box sized nursery-grown specimen Oak Trees, as well as the two (2) existing on-site Oak Trees MOT-2 and MOT-3, shall consist of the regular maintenance and care as available from the City of Calabasas pamphlet "Care and maintenance of Oak Trees" for use in the ongoing maintenance of Oak Trees. This maintenance shall include the initial establishment watering and care, and the ongoing regular watering and treatment(s), as recommended by the Project Consulting Arborist, during the City-required semi-annual site monitoring visits.

Please review this Report, the attached Tree Evaluation Forms Photo Logs, Oak Tree Sections and Tree Map, and return your questions and/or comments to:

Richard W. Campbell, ASLA, BSLA
P. O. Box 6192 - Project Arborist
Thousand Oaks, California 91359
Telephone (805) 375-1010
Email = rwcampbellasla@verizon.net
Web. = www.richardwcampbellasla.com

Cordially,

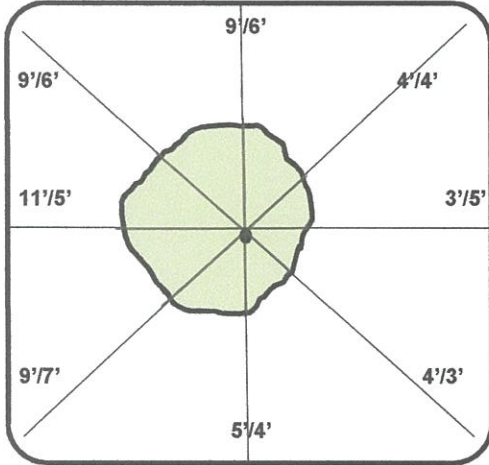


Richard W. Campbell, A.S.L.A., B.S.L.A.
Landscape Architect/Consulting Arborist
California RLA #1099, Nevada RLA #14

OAK TREE EVALUATION

tree evaluation form

Mahmoud Residence



SPECIES: Quercus agrifolia
Appearance (A-F): C+ **Date:** 02-03-24
Health: (A-F): C- **Inspector:** RWC
Diameter of Trunk(s) 5 1/4" @ 54" above grade

TREE #
MOT-1

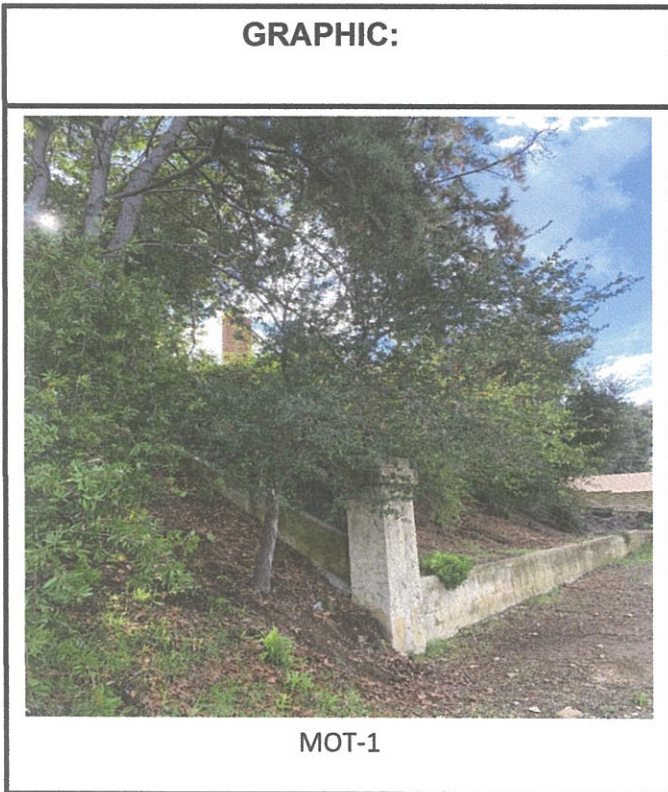
VIGOR:
 CHLOROSIS
 AVERAGE SHOOT GROWTH
 DIEBACK
 MINOR DEADWOOD
 THINNING OF CROWN
 EPICORMIC GROWTH

STRUCTURE:
 BROKEN BRANCHES
 PRIOR STUB-CUT PRUNING
 MECHANICAL INJURY
 WIRE / NAILS / SPIKES
 TORN BRANCH SCARS
 LOW BRANCHING
 WATER TRAP
 CAVITY – SCAFFOLD
 CAVITY – BRANCH
 LOPSIDED CANOPY
 EXCESS HORIZONTAL GROWTH
 DECAY / ROT SUSPECTED
 FIRE / LIGHTNING DAMAGE
 EXPOSED ROOTS
 HAZARDOUS CONDITION
 CROSSING BRANCHES
 CODOMINANT SCAFFOLDS
 CODOMINANT TRUNKS
 MULTI-TRUNK FORM
 SEMI-MATURE OAK

PESTS:
 BORERS / TERMITES
 MINOR TWIG GIRDLER
 ANTS
 WOODPECKERS
 GALLS
 WITCHES BROOM
 PIT-SCALE
 PLANT PARASITES
 MINOR EHRHORN'S SCALE

DISEASE:
 MARGINAL LEAF SCORCH
 EXFOLIATION
 LESIONS
 MINOR EXUDATION STAINS
 CANKERS

ENVIRONMENT:
 ON IRRIGATED AND PLANTED SLOPE
 FILL ON TRUNK & ROOT ZONE
 ADJACENT TO WALL PILASTER
 CANOPY INTERTWINED IN L/S TREE
 CANOPY OVERHANGS LOT PAD



REMARKS / RECOMMENDATIONS

REMOVE THIS TREE FOR NEW HOME CONSTRUCTION. REPLACE PER REPORT TEXT.

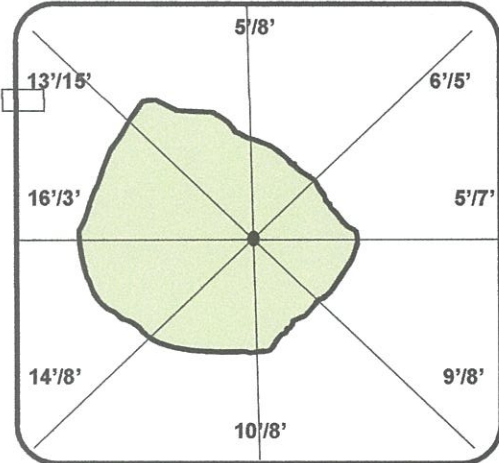
MONITOR AND DIRECT PROTECTION OF ALL OAK TREES, TO REMAIN-PROTECTED-IN-PLACE, DURING ALL CONSTRUCTION ACTIVITIES.

FINAL DETERMINATION OF MITIGATION AND TREATMENT(S) WILL BE AS DIRECTED IN THE FIELD BY THE OAK TREE PRESERVATION SPECIALIST.

RICHARD W. CAMPBELL, ASLA, BSLA
 P. O. BOX 6192 – Phone (805) 375-1010
 THOUSAND OAKS, CALIFORNIA 91359
www.richardwcampbellasia.com

tree evaluation form

Mahmoud Residence



SPECIES: Quercus agrifolia

Appearance (A-F): C+

Date: 02-03-24

Health: (A-F): C+

Inspector: RWC

Diameter of Trunk(s) 8 1/4", 1 1/8" (TOTAL 9 3/8")

@ 54" above grade

TREE #

MOT-2

VIGOR:

- CHLOROSIS
- AVERAGE SHOOT GROWTH
- DIEBACK
- MINOR DEADWOOD
- THINNING OF CROWN
- EPICORMIC GROWTH

STRUCTURE:

- BROKEN BRANCHES
- PRIOR STUB-CUT PRUNING
- MECHANICAL INJURY
- WIRE / NAILS / SPIKES
- TORN BRANCH SCARS
- LOW BRANCHING
- WATER TRAP
- CAVITY – SCAFFOLD
- CAVITY – BRANCH
- LOPSIDED CANOPY
- EXCESS HORIZONTAL GROWTH
- DECAY / ROT SUSPECTED
- FIRE / LIGHTNING DAMAGE
- EXPOSED ROOTS
- HAZARDOUS CONDITION
- CROSSING BRANCHES
- CODOMINANT SCAFFOLDS
- CODOMINANT TRUNKS
- INCLUDED BARK
- SEMI-MATURE OAK LEANS TO SOUTHWEST

PESTS:

- BORERS / TERMITES
- MINOR TWIG GIRDLER
- ANTS
- WOODPECKERS
- GALLS
- WITCHES BROOM
- PIT-SCALE
- PLANT PARASITES
- MINOR EHRHORN'S SCALE

DISEASE:

- MARGINAL LEAF SCORCH
- EXFOLIATION
- LESIONS
- MINOR EXUDATION STAINS
- CANKERS

ENVIRONMENT:

- ON IRRIGATED AND PLANTED SLOPE
- FILL ON TRUNK & ROOT ZONE
- CONJOINED WITH ADJACENT PINE
- CANOPY INTERTWINED IN L/S PLANTS
- CANOPY OVERHANGS LOT PAD

GRAPHIC:

REMARKS / RECOMMENDATIONS



MOT-2

PROTECT THIS TREE IN PLACE.

SOME ROOT PRUNING MAY OCCUR DUE TO NEW RETAINING WALL.

MONITOR AND DIRECT PROTECTION OF ALL OAK TREES, TO REMAIN-PROTECTED-IN-PLACE, DURING ALL CONSTRUCTION ACTIVITIES.

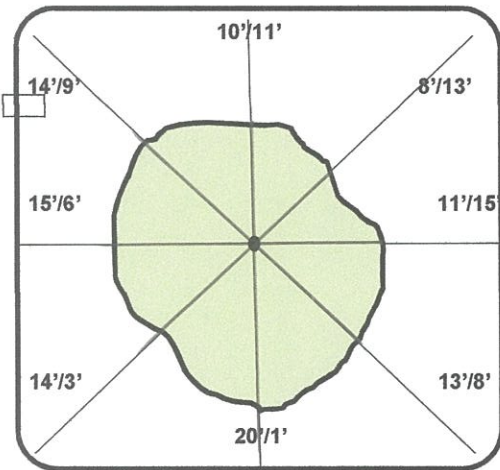
FINAL DETERMINATION OF MITIGATION AND TREATMENT(S) WILL BE AS DIRECTED IN THE FIELD BY THE OAK TREE PRESERVATION SPECIALIST.

RICHARD W. CAMPBELL, ASLA, BSLA
P. O. BOX 6192 – Phone (805) 375-1010
THOUSAND OAKS, CALIFORNIA 91359

www.richardwcampbellasia.com

tree evaluation form

Mahmoud Residence



SPECIES: Quercus agrifolia

Appearance (A-F): C+

Date: 02-03-24

Health: (A-F): C+

Inspector: RWC

Diameter of Trunk(s) 9 1/4", 6" (TOTAL 15 1/4")

@ 54" above grade

TREE #

MOT-3

VIGOR:

- CHLOROSIS
- AVERAGE SHOOT GROWTH
- DIEBACK
- MINOR DEADWOOD
- THINNING OF CROWN
- EPICORMIC GROWTH

STRUCTURE:

- BROKEN BRANCHES
- PRIOR STUB-CUT PRUNING
- MECHANICAL INJURY
- WIRE / NAILS / SPIKES
- TORN BRANCH SCARS
- LOW BRANCHING
- WATER TRAP
- CAVITY – SCAFFOLD
- CAVITY – BRANCH
- LOPSIDED CANOPY
- EXCESS HORIZONTAL GROWTH
- DECAY / ROT SUSPECTED
- FIRE / LIGHTNING DAMAGE
- EXPOSED ROOTS
- HAZARDOUS CONDITION
- CROSSING BRANCHES
- CODOMINANT SCAFFOLDS
- CODOMINANT TRUNKS
- INCLUDED BARK
- SEMI-MATURE OAK LEANS SLIGHTLY TO SOUTHEAST

PESTS:

- BORERS / TERMITES
- MINOR TWIG GIRDLER
- ANTS
- WOODPECKERS
- GALLS
- WITCHES BROOM
- PIT-SCALE
- PLANT PARASITES
- MINOR EHRHORN'S SCALE

DISEASE:

- MARGINAL LEAF SCORCH
- EXFOLIATION
- LESIONS
- MINOR EXUDATION STAINS
- CANKERS

ENVIRONMENT:

- ON IRRIGATED AND PLANTED SLOPE
- FILL ON TRUNK & ROOT ZONE
- CONJOINED WITH ADJACENT PINE
- CANOPY INTERTWINED IN L/S PLANTS
- CANOPY OVERHANGS LOT PAD

GRAPHIC:



MOT-3

REMARKS / RECOMMENDATIONS

PROTECT THIS TREE IN PLACE.

SOME ROOT PRUNING MAY OCCUR DUE TO NEW RETAINING WALL.

MONITOR AND DIRECT PROTECTION OF ALL OAK TREES, TO REMAIN-PROTECTED-IN-PLACE, DURING ALL CONSTRUCTION ACTIVITIES.

FINAL DETERMINATION OF MITIGATION AND TREATMENT(S) WILL BE AS DIRECTED IN THE FIELD BY THE OAK TREE PRESERVATION SPECIALIST.

RICHARD W. CAMPBELL, ASLA, BSLA
P. O. BOX 6192 – Phone (805) 375-1010
THOUSAND OAKS, CALIFORNIA 91359

www.richardwcampbellasla.com

TREE PHOTO LOGS

22534 CALIPRATIA DR.
(3 OAK TREES)



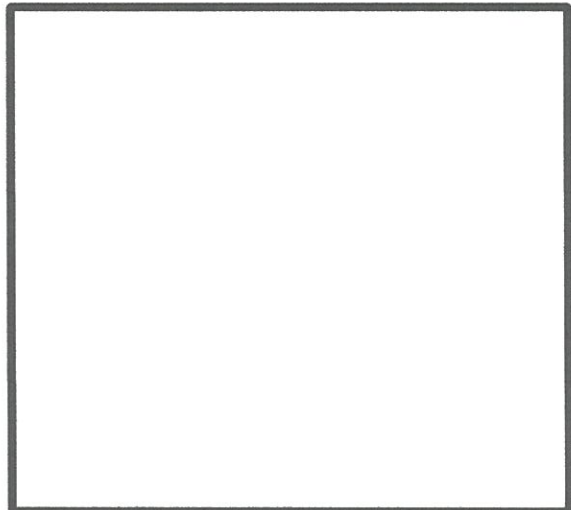
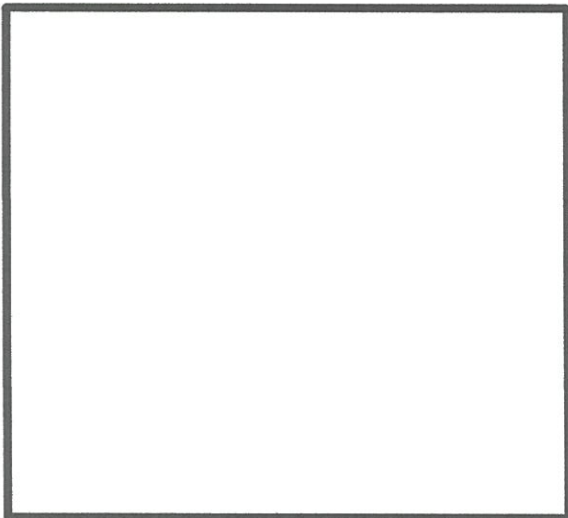
MOT-1



MOT-2

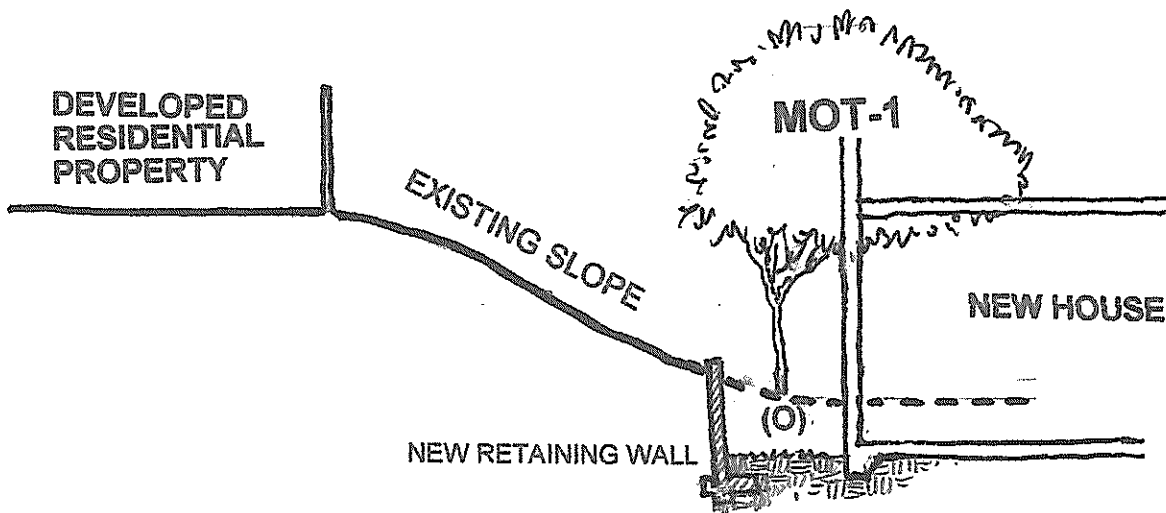


MOT-3



OAK TREE SECTIONS

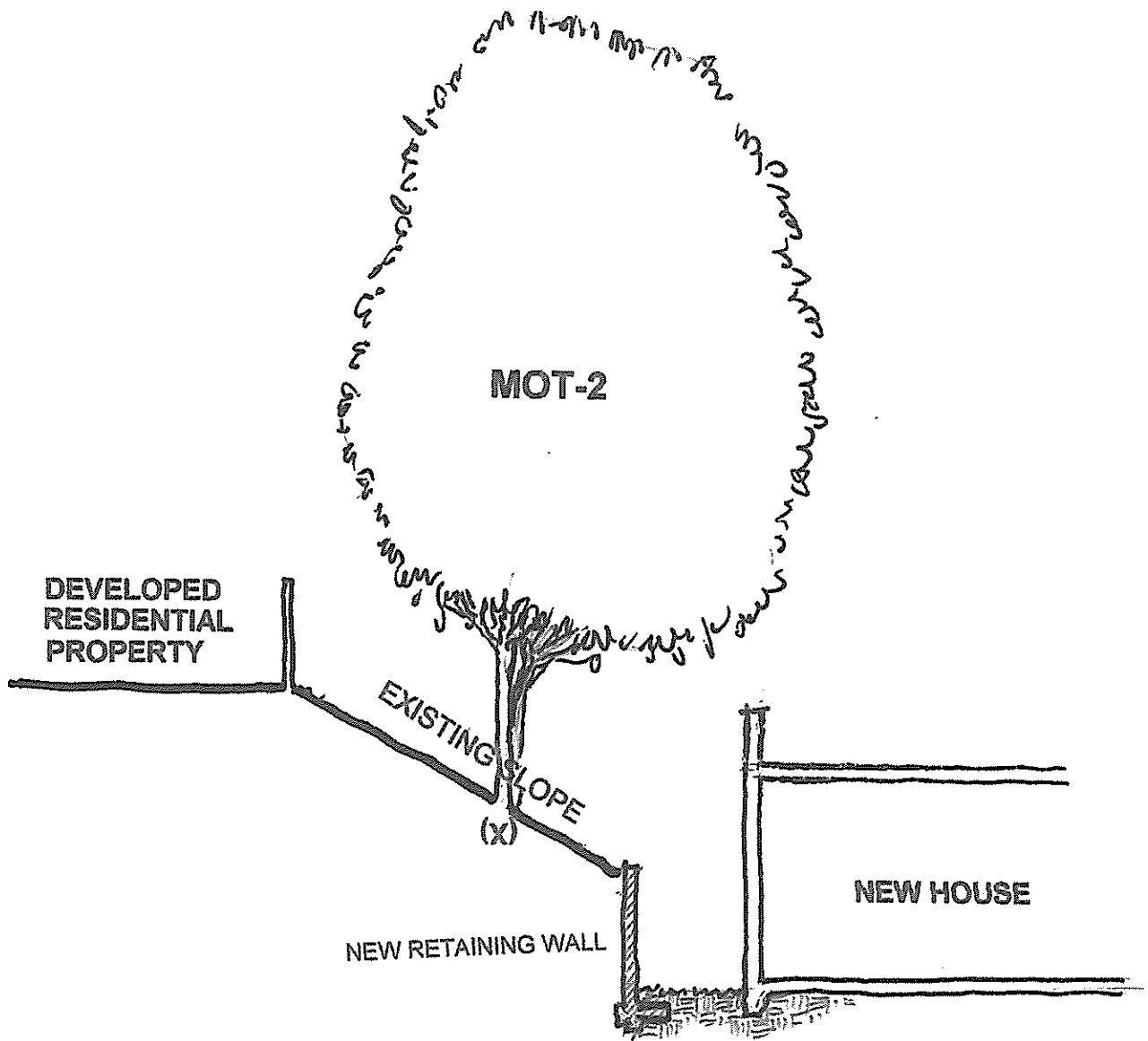
**22534 CALIPATRIA LLC
22534 CALIPATRIA DRIVE
CALABASAS, CALIFORNIA 90302**



SECTION A

SCALE : 1/8" = 1'-0"

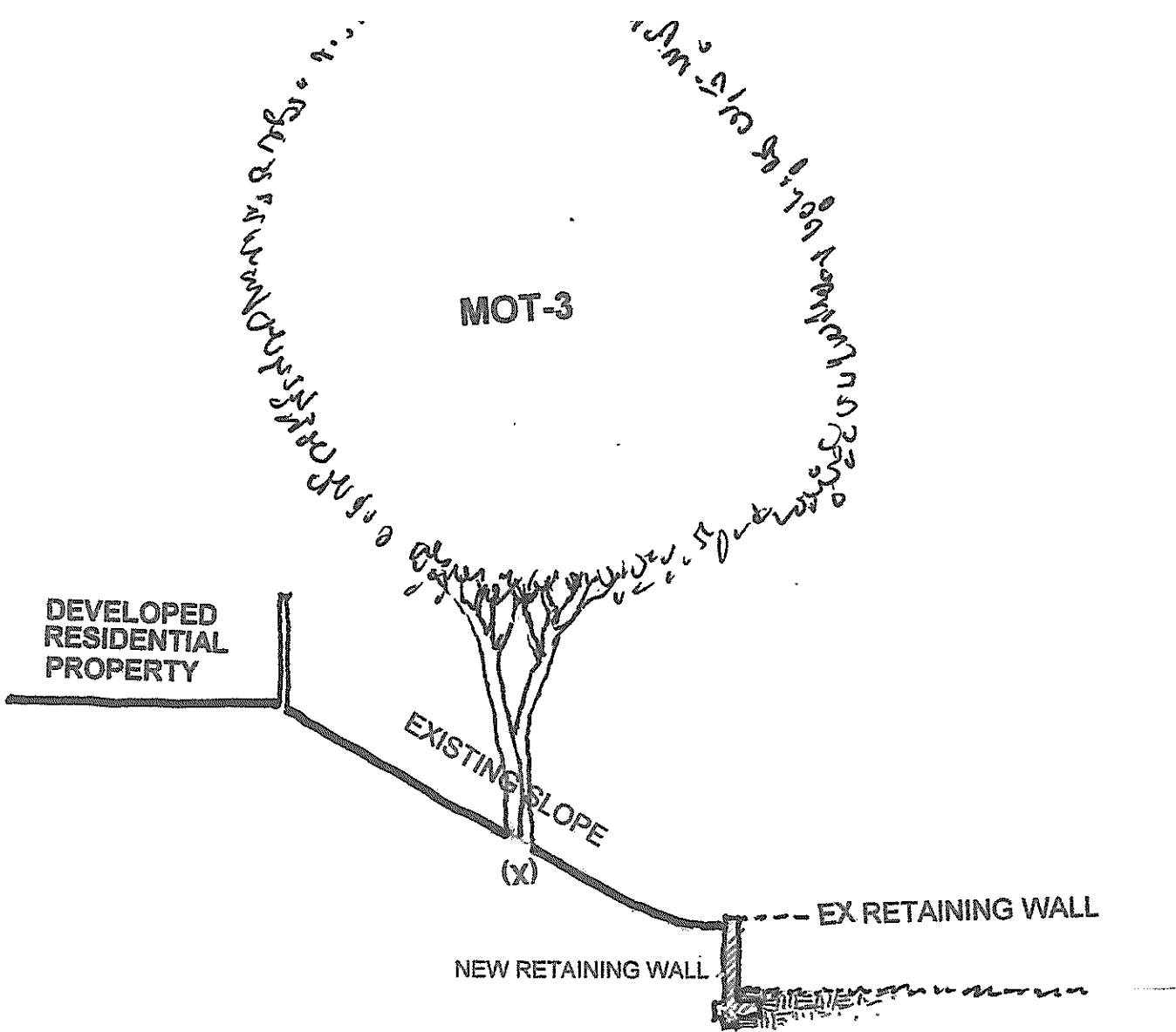
22534 CALIPATRIA PROJECT
22534 CALIPATRIA DRIVE
CALABASAS, CA 90302



SECTION B

SCALE : 1/8" = 1'-0"

22534 CALIPATRIA PROJEC
22534 CALIPATRIA DRIVE
CALABASAS, CA 90302



SECTION C

SCALE : 1/8" = 1'-0"

22534 CALIPATRIA PROJECT
 22534 CALIPATRIA DRIVE
 CALABASAS, CA 90302

OAK TREE MAP

**22534 CALIPATRIA LLC
22534 CALIPATRIA DRIVE
CALABASAS, CALIFORNIA 90302**

