

Exhibit B:

Pannier Design Examples:

Installation and mounting

Base colors

Base frames

We look forward to an opportunity to help you with your next signage project. [Contact Pannier](#)

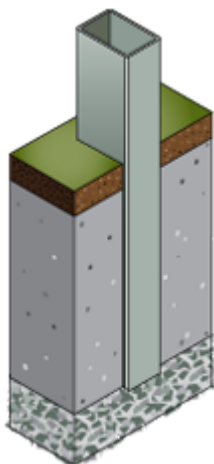


Installation & Mounting Options

Pannier offers a variety of installation & mounting options to meet any need.

Direct Embedment

Exhibit bases are buried directly into the ground, with a concrete base, for the ultimate in durability and longevity;
Most popular installation method;
See our Customer Tools page to view Installation Instructions.



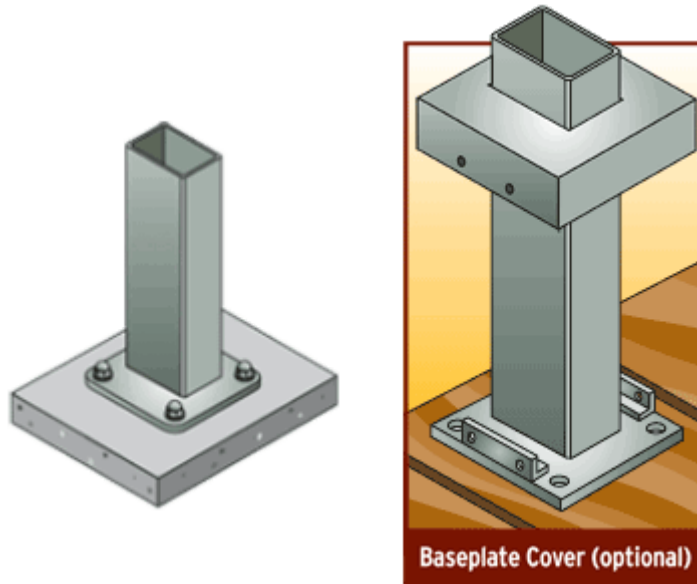
Baseplate Mount

Exhibit bases are fitted with baseplates at the bottoms of the legs, which enables you to mount directly to any hard surface;

Can be used to mount directly on top of concrete;

This is the typical installation method for mounting on decks, or other wood structures;

Baseplates are available in a variety of sizes, contact us for more information on different options for your particular installation.

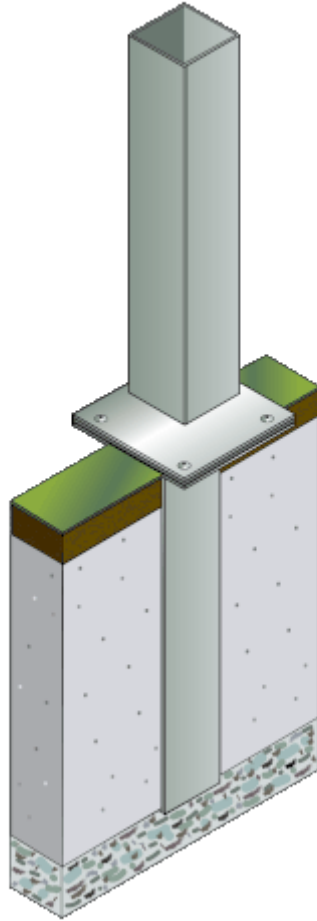


Seasonal Mount

Seasonal Mounts provide an option for installation that makes the exhibit easily removable.

Posts are installed in the ground with a baseplate resting on the surface. This allows the legs and baseplates on the exhibit to be secured on top with screws.

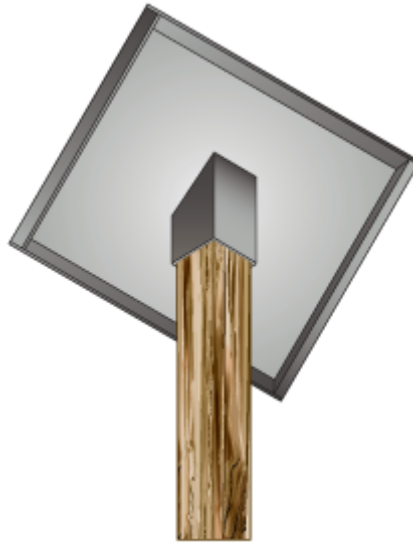
This installation method is recommended for areas prone to large-impact environmental events, or to remove the exhibits in the off-season.



Post Mount

This method uses a metal sleeve with pre-drilled mounting holes, which allow the frame to be mounted securely over your wooden post;

Multiple post configurations are also an option.



Want to know more? Contact us!

GET IN TOUCH

INSIDE THE COMPANY

Pannier has been the established world leader in durable signage for more than four decades.

E-NEWSLETTER SIGN UP

email address

SUBSCRIBE

We look forward to an opportunity to help you with your next signage project. [Contact Pannier](#)



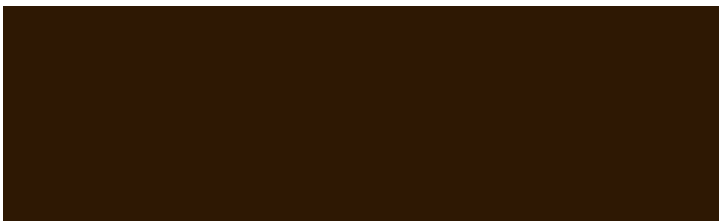
Colors & Finishes

Frame Colors

Flexibility is not just limited to our selection of frame and base styles. We also offer a variety of colors and finishes to ensure we create the perfect fit for any application. Contact Pannier to discuss custom color options or choose from our standard palette of NPS colors below.



BLACK



NPS CHARCOAL



NPS BROWN



NPS GUAM GRAY

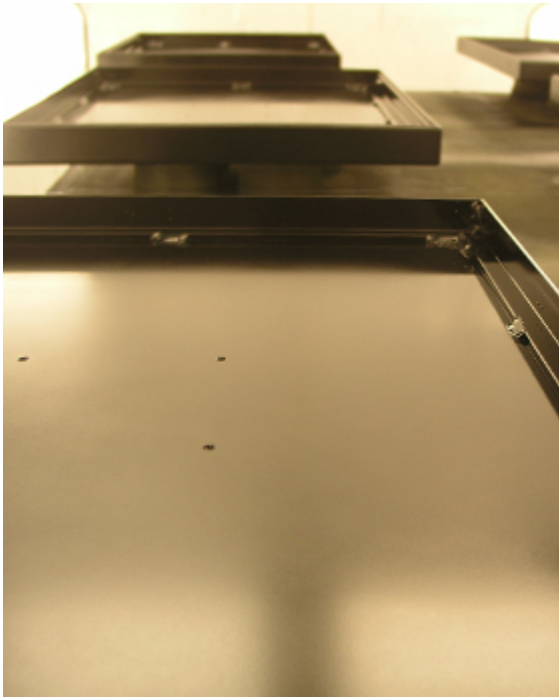
Colors on website are a representation only of actual colors, and can vary based on monitor and viewing conditions. Contact Pannier to have a physical color sample delivered to your door.

Frame Finishes

Pannier offers paint and powder coating finishing options.

Paint is available in a satin and textured finish on all frames.

Powder coating is available in a textured finish.



We look forward to an opportunity to help you with your next signage project. [Contact Pannier](#)



Low Profile Bases and Frames



Traditional T



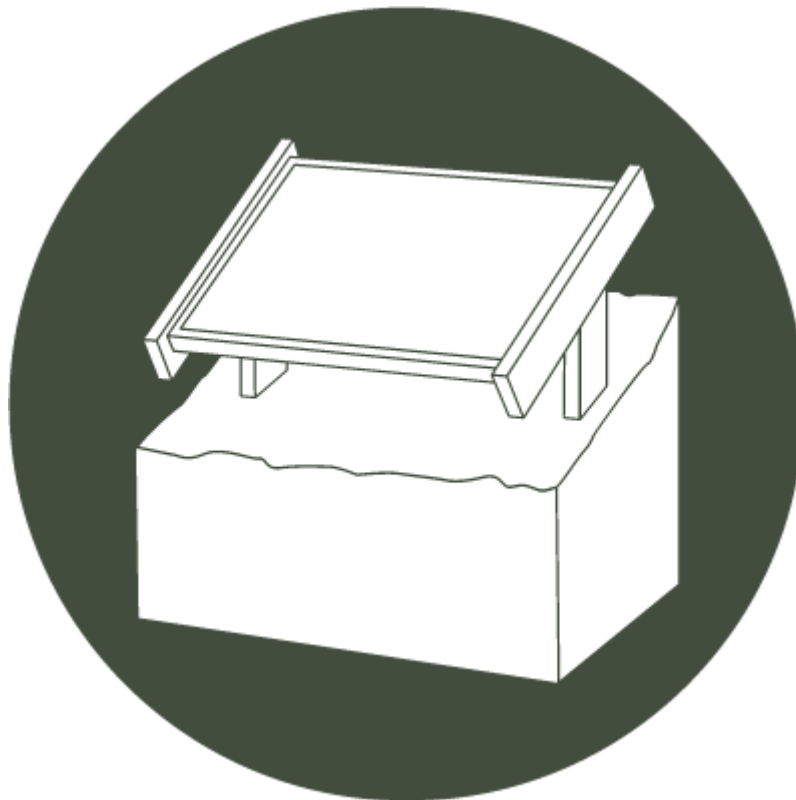
Cantilevered



Single Pedestal



Double Pedestal



Mason & Rail Mount



Sled Base

Low Profile Bases and Frames

Ideal for interpretive wayside exhibits, these simple, yet sturdy, designs position your panel in a way that is easy to read without calling attention away from the surrounding views.

Exhibit Base and Frame Features

- Constructed of rust-free, high-strength aluminum;
- Full capture frame to keep panel in place;
- Custom aluminum extrusions, eliminating unnecessary welds;
- All corners are rounded for both safety and aesthetics;
- Weep holes along bottom for water drainage;
- Removable top rail for easy panel changes;
- Tamper proof connections used to protect from theft;
- Painted or powder coated;
- Built to strict National Park Service specifications;
- Virtually unlimited mounting options – we can build to suit your need.