

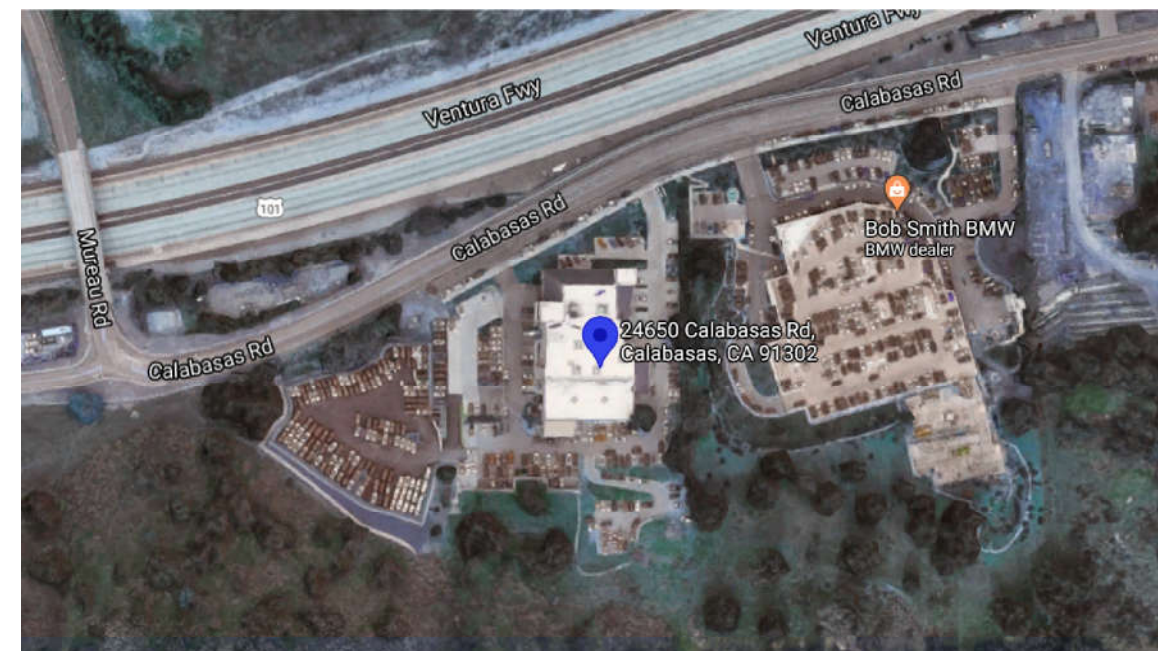
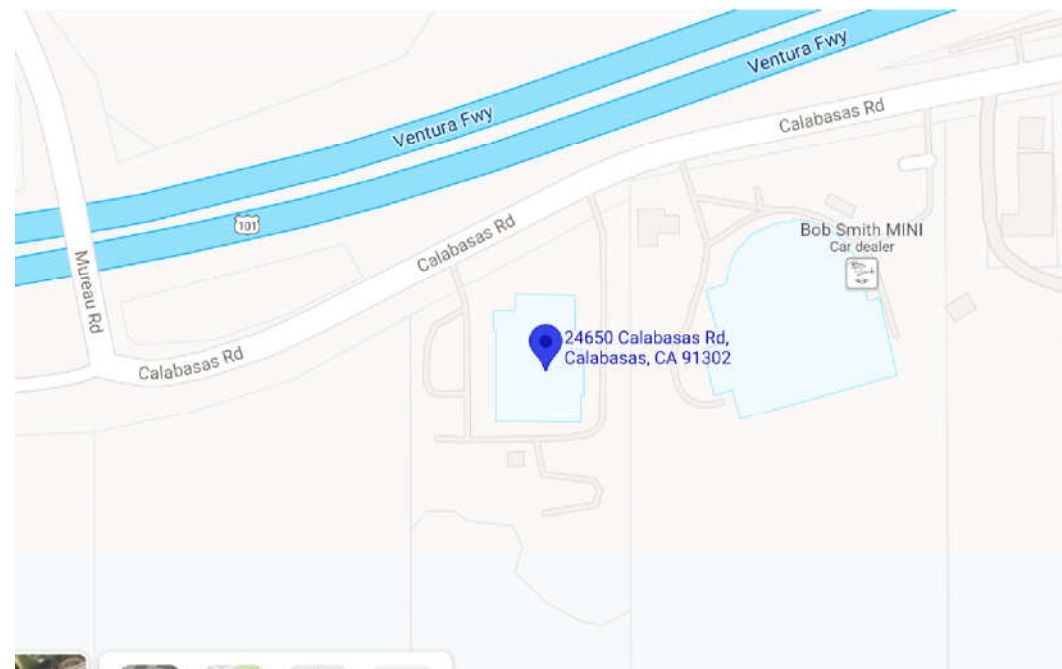


Audi

Calabasas

24650 Calabasas RD
Calabasas, CA 91302

S I G N P R O G R A M



APN: 2069-009-027

Designed By:
Sign Contractor's Inc.

400 W. FOOTHILL BLVD. #130 GLENDORA, CA 91741
626-335-2887 info@rrsigns.com

Revised:	Approval Date:	Amended By:
7/12/2021	Corrections issued	KCR SP
9/8/2021	Corrections issued	KCR SP2
9/9/2021	Corrections issued	RAR SP3
9/9/2021	Corrections issued	RAR SP4



Date: 7/1/21	Project Name: Audi Calabasas	This is an original, unpublished drawing created by R&R Custom Signs. It is submitted for your personal use in conjunction with a project being planned for you by R&R Custom Signs, and shall not be reproduced, used by or disclosed to any firm or corporation for any purpose whatsoever without written permission.	First Revision <input type="checkbox"/>	The requirements of Article 600 of the National Electrical Code and/or other applicable local codes. This includes proper grounding and bonding of the sign.
Scale: As noted	Address: 24650 Calabasas RD		Second Revision <input type="checkbox"/>	
Drawn by: Sign Contractors Inc.	Calabasas, CA 91302		Third Revision <input type="checkbox"/>	



24650 Calabasas RD
Calabasas, CA 91302

TABLE OF CONTENTS

COVER PAGE	1
TABLE OF CONTENTS	2
INTRODUCTION TO THIS SIGN PROGRAM, GENERAL GUIDELINES, & PROHIBITED SIGNS	3
PERMITTED SIGN TYPES, MATERIALS, COLORS, & COLOR CHART	4
SIGN AREA TABLE	5
SITE PLAN	6
NORTH ELEVATION (SIGNS #1, 2a, 2b, & #4)	7
WEST ELEVATION (VINYL #1)	8
EAST ELEVATION (SIGN #3, VINYL #2 & #3)	9
AUDI 4100 LOGO RINGS (SIGN #1)	10
AUDI 4100 LOGO RINGS MOUNTING DETAILS(SIGNS #1)	11
AUDI 24" CHANNEL LETTERS (SIGN #2a)	12
AUDI 24" CHANNEL LETTERS MOUNTING DETAILS (SIGN #2a)	13
AUDI 24" DEALER NAME CHANNEL LETTERS (SIGN #2b)	14
AUDI 24" DEALER NAME CHANNEL LETTERS MOUNTING DETAILS (SIGNS #2b)	15
AUDI AEE-670 RINGS AND LETTERS (SIGN #3 & VINYL #2)	16
AUDI 12" "SERVICE" SECONDARY CHANNEL LETTERS (SIGN #4)	17
WINDOW VINYL COPY DEALER NAME AND OPENING HOURS (VINYL #1, #2, & #3)	18
ADDRESS VINYL COPY (SIGN #9)	19
CUSTOM MONUMENT (SIGN #5)	20
CUSTOM MONUMENT (SIGN #5)	21



Date: 7/1/21	Project Name: Audi Calabasas	This is an original, unpublished drawing created by R&R Custom Signs. It is submitted for your personal use in conjunction with a project being planned for you by R&R Custom Signs, and shall not be reproduced, used by or disclosed to any firm or corporation for any purpose whatsoever without written permission.	First Revision	<input type="checkbox"/>	The requirements of Article 600 of the National Electrical Code and/or other applicable local codes. This includes proper grounding and bonding of the sign.
Scale: As noted	Address: 24650 Calabasas RD		Second Revision	<input type="checkbox"/>	
Drawn by: Sign Contractors Inc.	Calabasas, CA 91302		Third Revision	<input type="checkbox"/>	



INTRODUCTION

The purpose of this sign program is To insure that all signage be consistent with the project owner’s intention to create a visually appealing, yet functional professional environment and also to ensure the design and production quality of all signs within the project.

The signs specified herein shall be related to their surroundings in terms of size, shape, color and material, as well as illumination, in order to complement the overall design of the building and not compete visually with other signs in the area.

GENERAL GUIDELINES

1. Conformance to the standards specified herein will be strictly enforced. Designated tenants will be responsible for the design, installation and maintenance of their sign(s). Scratched or damaged paint, improperly installed signs, or building damage as a result of sign installation must be replace or repaired within thirty (30) days if occurrence at the sole expense of the tenant. Signs shall be removed by tenant at the end of their lease and fascia repaired to a like new condition.
2. No sign will be painted directly onto building wall or surface of any building.
3. Sale signs, special announcements, posters, banners, sandwich boards, or any non-permanent signs are not permitted. Temporary banner permits can be obtained from Planning Department subject to certain regulations and Planning Department approval.
4. No sign shall be constructed or maintained to flash, rotate, or in any way simulate motion or create sound.
5. No sign shall be constructed or located as to constitute a nuisance or in any way be detrimental to adjoining uses.
6. Should discrepancies occur regarding specifications contained herein relating to signage, the City of Calabasas Sign Ordinance shall control.
7. The Planning Director shall have the final authority on interpretations on fonts, colors, and language in the sign program.

PROHIBITED SIGN TYPES, COLORS, FONTS, & ILLUMINATION

Consistent with Calabasas Municipal Code Section 17.30.040 The following signs are prohibited:

- A. Abandoned signs that advertise or otherwise identify a business or activity which has been discontinued on the premises for a period of ninety (90) days or more
- B. Animated, moving, flashing, blinking, reflecting, revolving, digital screen or any other similar moving or simulated moving signs
- C. Bus stop bench signs or any copy painted on any portion of a bus stop bench
- D. Billboards and other off-site signs, except where allowed by Section 17.30.030
- E. Cabinet (can) signs with translucent plastic faces and internal illumination
- F. Inflatable signs, balloons, pennants, streamers and flags, except where allowed by Section 17.30.030
- G. Neon signs
- H. Permanent pole mounted signs except where allowed by Section 17.30.030
- I. Roof-mounted signs
- J. Signs on public property or in a public right-of-way, except as provided in Section 17.30.030(A) and (C)
- K. Signs tacked, nailed, posted, pasted, glued or otherwise attached to trees, poles (including utility and street name), stakes, electrical transformers or other accessory structures. Whenever a sign is so posted, the sign itself shall constitute prima facie evidence that the person or business identified on the sign authorized its placement
- L. Signs painted on fences or roofs
- M. Signs that simulate in color or design a traffic sign or signal, or which make use of words, symbols or characters in a manner to interfere with, mislead or confuse pedestrian or vehicular traffic
- N. Temporary signs, including pedestal signs, "A" frame signs and sandwich boards, except as allowed by this chapter and the Old Town Master Plan
- O. Temporary Vehicle Mounted or Trailer-Mounted Signs. Signs on vehicles are allowed on vehicles, without sign permits, only when the copy or message (i) relates only to the business or establishment of which the vehicle itself is a part; (ii) pertains to the sale, rent, lease or hire of such vehicle; or (iii) is a noncommercial message. Vehicles displaying signs may not be parked for the primary purpose of commercial advertising. Vehicles may not be used as mounting or holding devices for commercial signs. This provision shall not apply to public transportation vehicles
- P. Service station ancillary advertising signs located on the exterior of any structure or equipment. Such ancillary advertising signs include business card kiosks and other displays that advertise businesses, services, or products not located on the site.



Date: 7/1/21	Project Name: Audi Calabasas	This is an original, unpublished drawing created by R&R Custom Signs. It is submitted for your personal use in conjunction with a project being planned for you by R&R Custom Signs, and shall not be reproduced, used by or disclosed to any firm or corporation for any purpose whatsoever without written permission.	First Revision <input type="checkbox"/>	The requirements of Article 600 of the National Electrical Code and/or other applicable local codes. This includes proper grounding and bonding of the sign.
Scale: As noted	Address: 24650 Calabasas RD		Second Revision <input type="checkbox"/>	
Drawn by: Sign Contractors Inc.	Calabasas, CA 91302		Third Revision <input type="checkbox"/>	

PERMITTED SIGN TYPES

- A. Illuminated channel letter signs
- B. Non-illuminated channel letter signs
- C. Directional signs
- D. Window signs

PERMITTED SIGN MATERIALS

- A. Formed Acrylic
- B. Red #2793 Acrylic
- C. Day/Night Acrylic
- D. Black Sintra (PVC)
- E. Deep .090 Aluminum
- F. Alucobond
- G. 3M High Performance Black Vinyl

PERMITTED SIGN COLORS & COLOR CHART



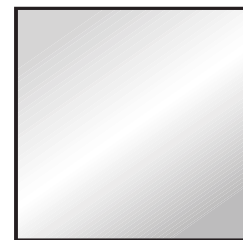
3M 7755-520
Chrome



Black Grid Pattern



2793 Red
Acrylic faces



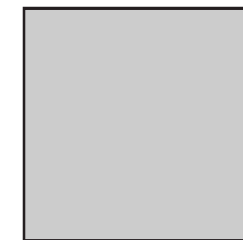
RAL 9006 Silver
(returns and support
tubes, clips or raceway)



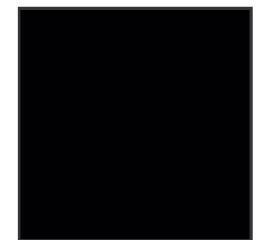
Day-Nite
Acrylic faces



Dark Grey
Mica DB 703



Audi Silver



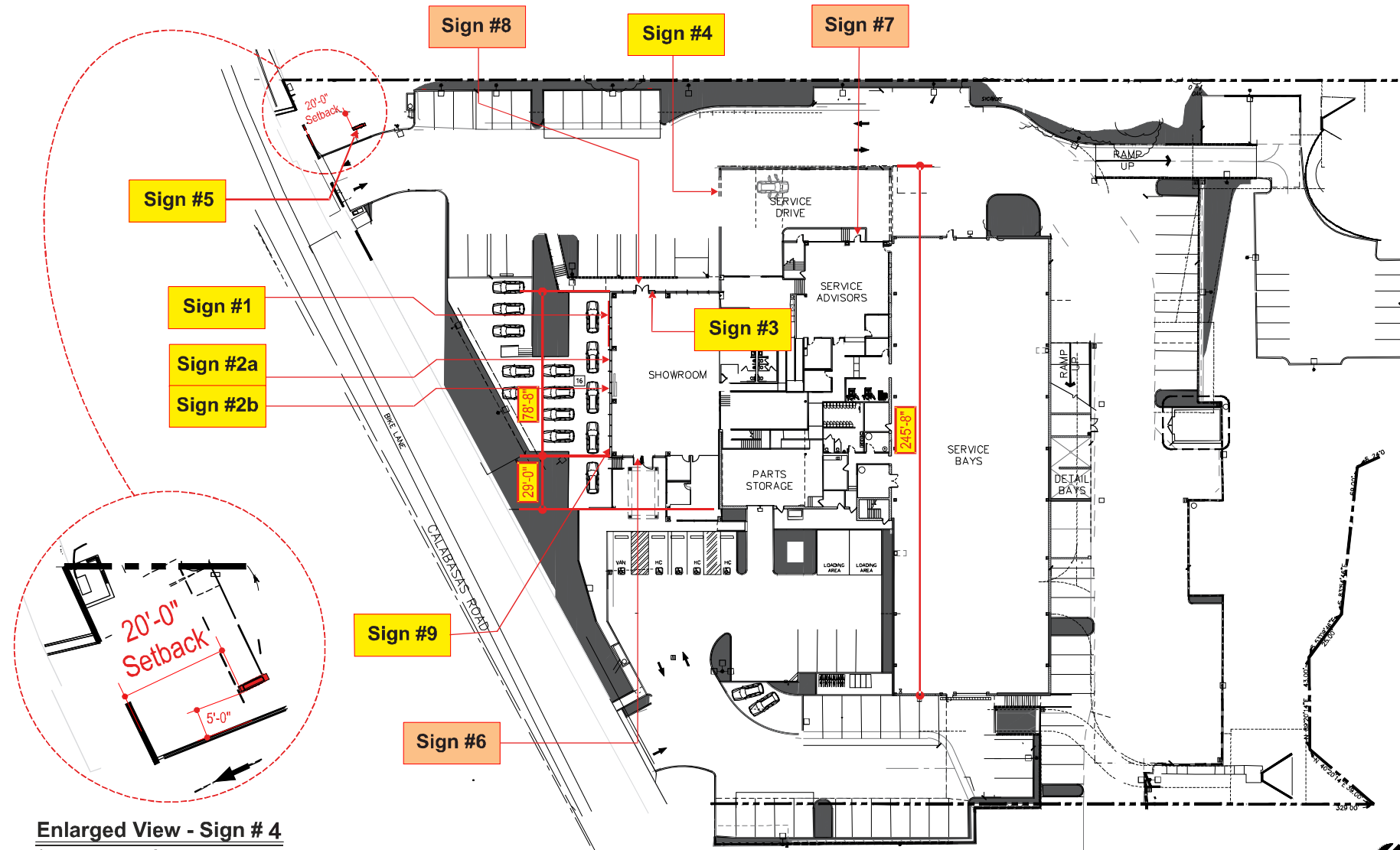
Black Vinyl



Date: 7/1/21	Project Name: Audi Calabasas	This is an original, unpublished drawing created by R&R Custom Signs. It is submitted for your personal use in conjunction with a project being planned for you by R&R Custom Signs, and shall not be reproduced, used by or disclosed to any firm or corporation for any purpose whatsoever without written permission.	First Revision <input type="checkbox"/>	The requirements of Article 600 of the National Electrical Code and/or other applicable local codes. This includes proper grounding and bonding of the sign.
Scale: As noted	Address: 24650 Calabasas RD		Second Revision <input type="checkbox"/>	
Drawn by: Sign Contractors Inc.	Calabasas, CA 91302		Third Revision <input type="checkbox"/>	

Audi Calabasas

24650 Calabasas RD
Calabasas, CA 91302



Enlarged View - Sign # 4
Scale: 1"=20'-0" @ 11x17

Site Plan
Scale: 1" = 50'-0" @ 11x17

Sign Plan

Sign #1 - Illuminated Audi 4100 Logo Rings.
55.875"hX161.4375"w 62.64 Feet Squared
Page 10-11

Sign #2a - Illuminated Audi 24" Channel Letters.
24"hX92.25"w 15.38 Feet Squared
Page 12-13

Sign #2b - Illuminated Audi 24" Dealer Name Channel Letters.
24"hX202.375"w 33.7 Feet Squared
Page 14-15

Sign #3 - Non-Illuminated Audi AEE-670 Rings.
14.625"hX26.375w 2.7 Feet Squared
Page 16

Sign #4 - Illuminated Audi 12" "Service" Secondary Channel Letters. 1
2"hX72"w 6.0 Feet Squared
Page 17

Sign #5 - Illuminated Custom Monument.
240"hX90"w 150 feet Squared
Page 19-20

Sign #6 - Non-Illuminated Vinyl Copy Dealers Name and Hours.
22.375"hX19"w 2.95 Feet Squared
Page 18

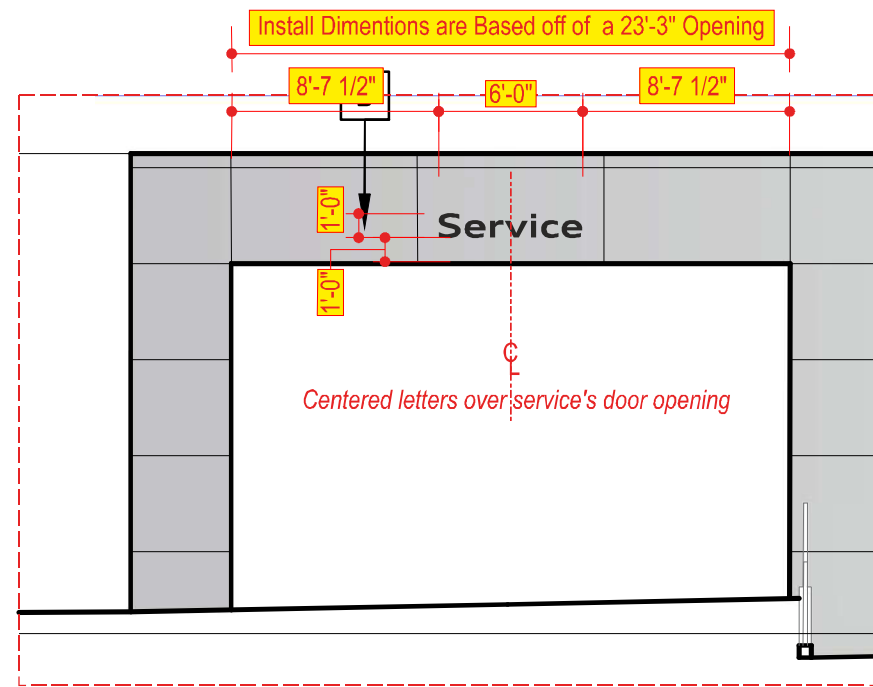
Sign #7 - Non-Illuminated Vinyl Copy Dealers Name and Hours.
22.375"hX19"w 2.95 Feet Squared
Page 18

Sign #8 - Non-Illuminated Vinyl Copy Dealers Name and Hours.
22.375"hX19"w 2.95 Feet Squared
Page 18

Sign #9- Non-Illuminated Address Sign
8"hX44"W 2.44 Feet Squared
Page 7

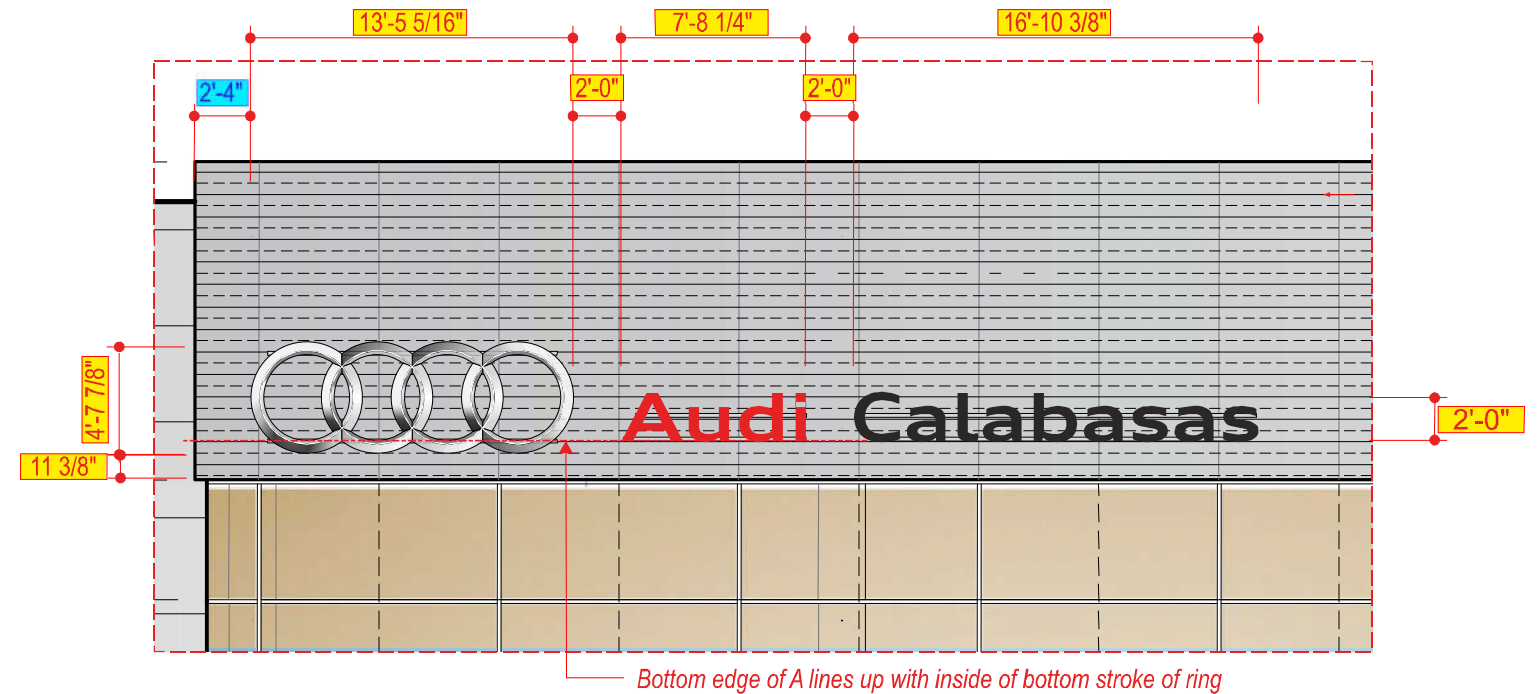


Date: 7/1/21	Project Name: Audi Calabasas	This is an original, unpublished drawing created by R&R Custom Signs. It is submitted for your personal use in conjunction with a project being planned for you by R&R Custom Signs, and shall not be reproduced, used by or disclosed to any firm or corporation for any purpose whatsoever without written permission.	First Revision	<input type="checkbox"/>	The requirements of Article 600 of the National Electrical Code and/or other applicable local codes. This includes proper grounding and bonding of the sign.
Scale: As noted	Address: 24650 Calabasas RD		Second Revision	<input type="checkbox"/>	
Drawn by: Sign Contractors Inc.	Calabasas, CA 91302		Third Revision	<input type="checkbox"/>	



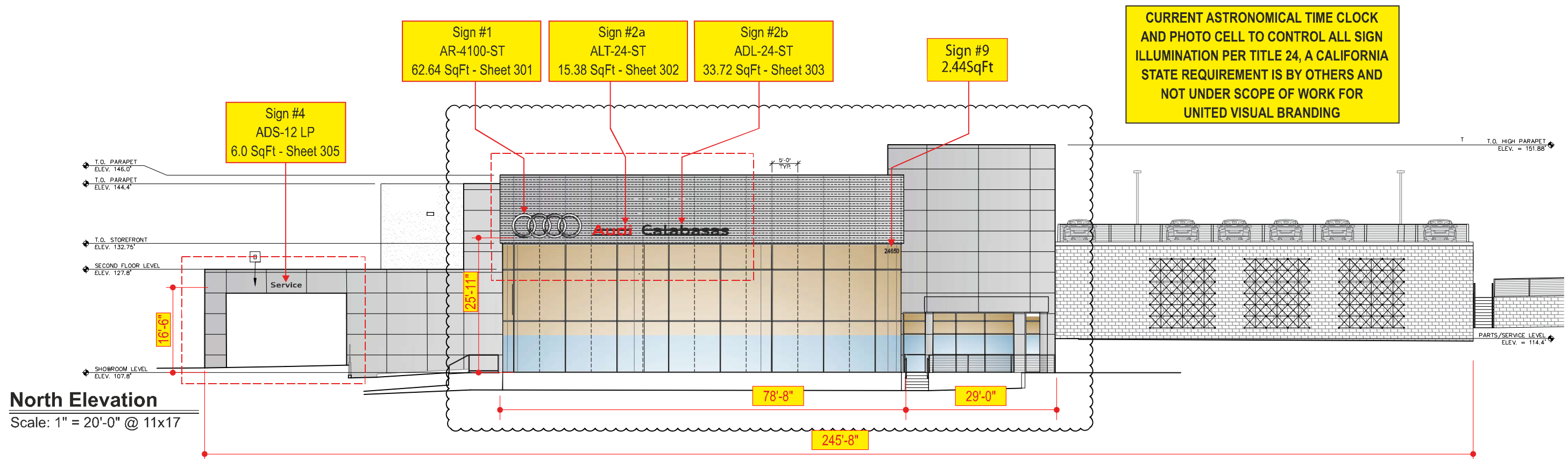
Enlarged View - Sign #4

Scale: 1/8"=1'-0" @ 11x17



Enlarged View - Sign #1, #2a and Sign #2b

Scale: 1/8"=1'-0" @ 11x17

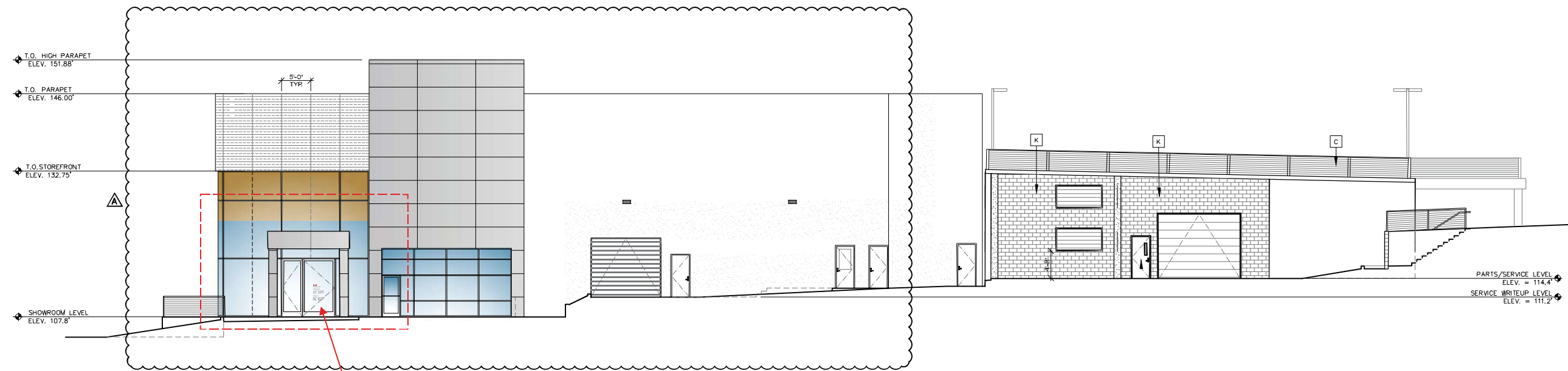


North Elevation

Scale: 1" = 20'-0" @ 11x17



Date: 7/1/21	Project Name: Audi Calabasas	This is an original, unpublished drawing created by R&R Custom Signs. It is submitted for your personal use in conjunction with a project being planned for you by R&R Custom Signs, and shall not be reproduced, used by or disclosed to any firm or corporation for any purpose whatsoever without written permission.	First Revision <input type="checkbox"/>	The requirements of Article 600 of the National Electrical Code and/or other applicable local codes. This includes proper grounding and bonding of the sign.
Scale: As noted	Address: 24650 Calabasas RD		Second Revision <input type="checkbox"/>	
Drawn by: Sign Contractors Inc.	Calabasas, CA 91302		Third Revision <input type="checkbox"/>	

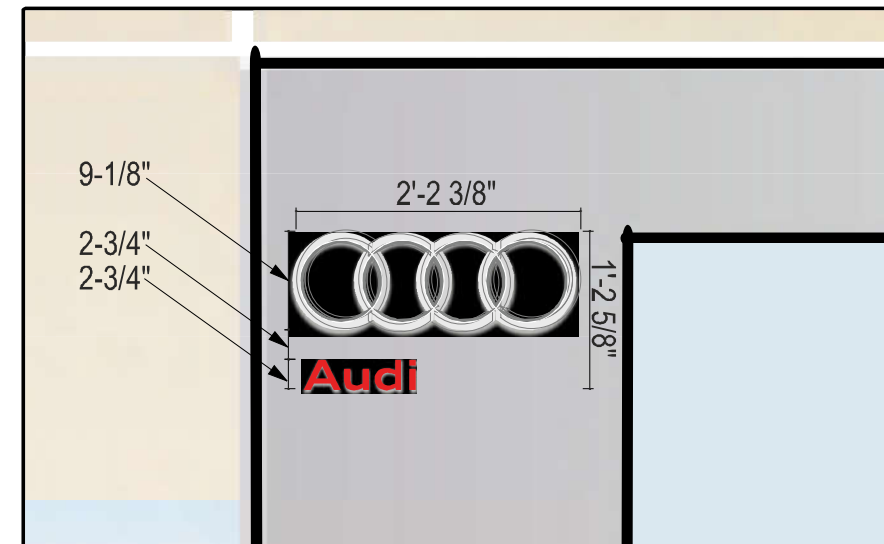


West Elevation
 Scale: 1" = 20'-0" @ 11x17

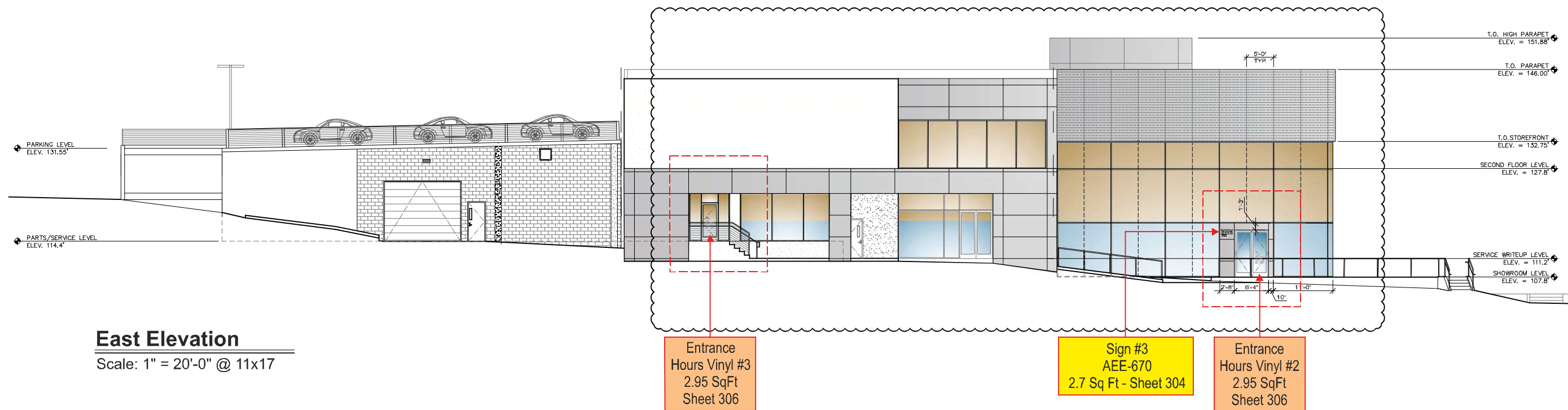
Entrance
 Hours Vinyl #1
 2.95 SqFt
 Sheet 306



Date: 7/1/21	Project Name: Audi Calabasas	This is an original, unpublished drawing created by R&R Custom Signs. It is submitted for your personal use in conjunction with a project being planned for you by R&R Custom Signs, and shall not be reproduced, used by or disclosed to any firm or corporation for any purpose whatsoever without written permission.	First Revision <input type="checkbox"/>	The requirements of Article 600 of the National Electrical Code and/or other applicable local codes. This includes proper grounding and bonding of the sign.
Scale: As noted	Address: 24650 Calabasas RD		Second Revision <input type="checkbox"/>	
Drawn by: Sign Contractors Inc.	Calabasas, CA 91302		Third Revision <input type="checkbox"/>	



Enlarged View - Sign #3

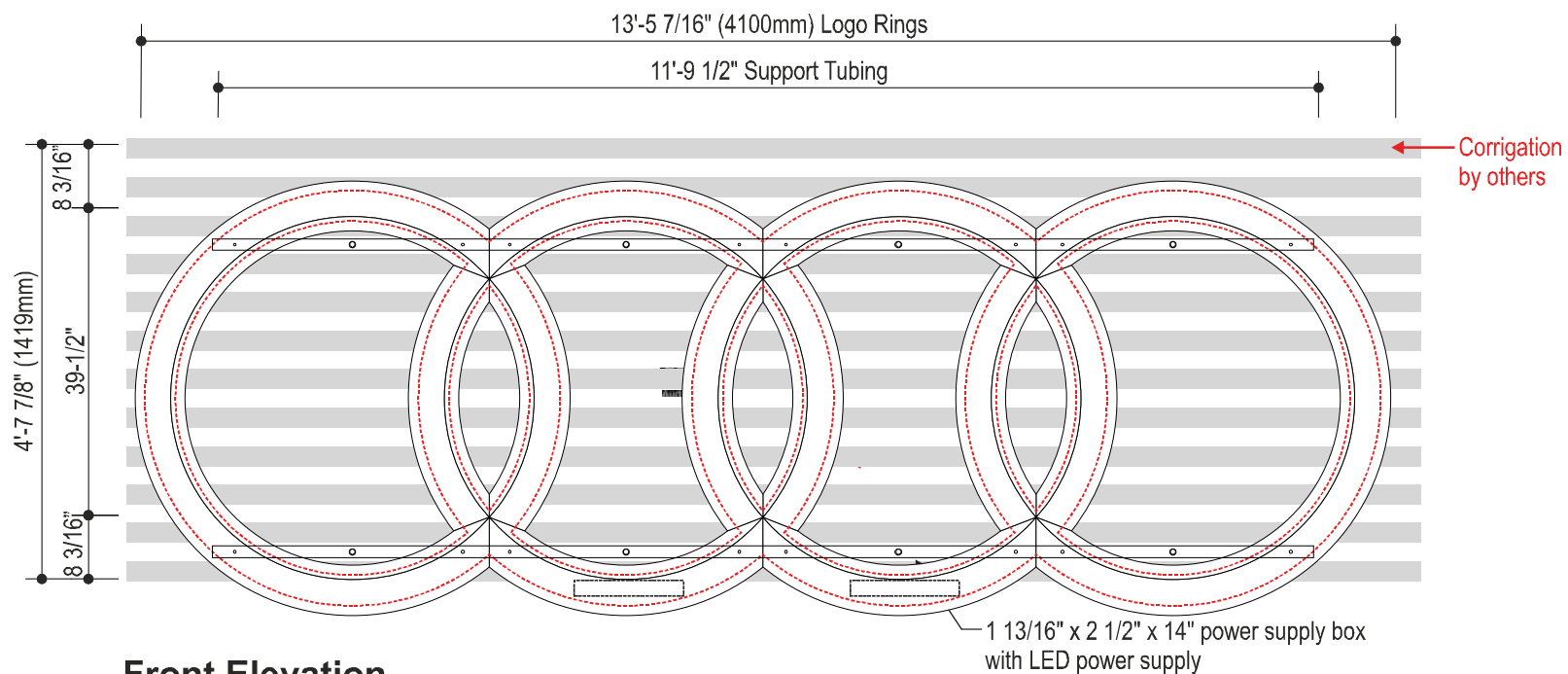


East Elevation

Scale: 1" = 20'-0" @ 11x17

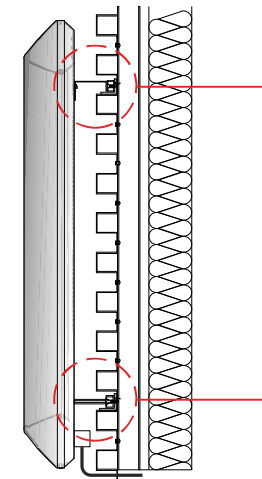


Date: 7/1/21	Project Name: Audi Calabasas	This is an original, unpublished drawing created by R&R Custom Signs. It is submitted for your personal use in conjunction with a project being planned for you by R&R Custom Signs, and shall not be reproduced, used by or disclosed to any firm or corporation for any purpose whatsoever without written permission.	First Revision	<input type="checkbox"/>	The requirements of Article 600 of the National Electrical Code and/or other applicable local codes. This includes proper grounding and bonding of the sign.
Scale: As noted	Address: 24650 Calabasas RD		Second Revision	<input type="checkbox"/>	
Drawn by: Sign Contractors Inc.	Calabasas, CA 91302		Third Revision	<input type="checkbox"/>	



Front Elevation

Scale: 1/2"=1'-0" @ 11"x17" Qty: (1)



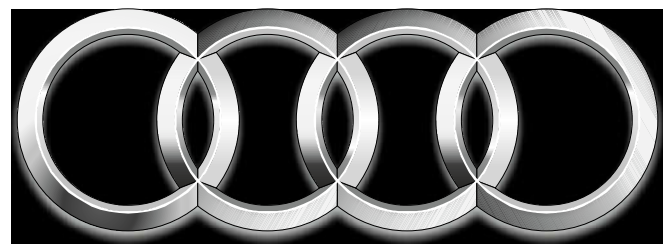
Side View

Scale: 1/2"=1'-0" @ 11"x17"

Square Feet: 4'-7 7/8" x 13'-5 7/16" = 62.64

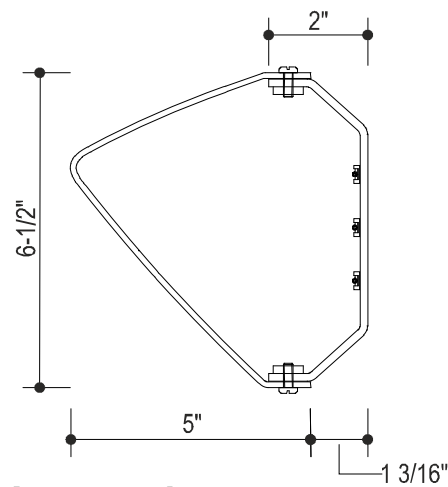
Audi 4100 Logo Rings w/Support Tubing on Corrugated Siding Sign #1

Sign Weight
200 lbs
Electrical Specifications
Power Supply: 12V/60W Qty Req'd: 2 @ 1.2 Amps Ea
White LEDs
Max Amps Req'd: 2.40
Voltage Req'd: 120V/277V
Whip Length 10'-0"L Unless Otherwise Requested
Color Specifications
P2
M1 RAL 9006 D1 Silver
118 Poly One white plastic with 3M 7755-520 Chrome Digitally printed Oracal 3951 Clear 3635-110 Chrome Black Grid Pattern



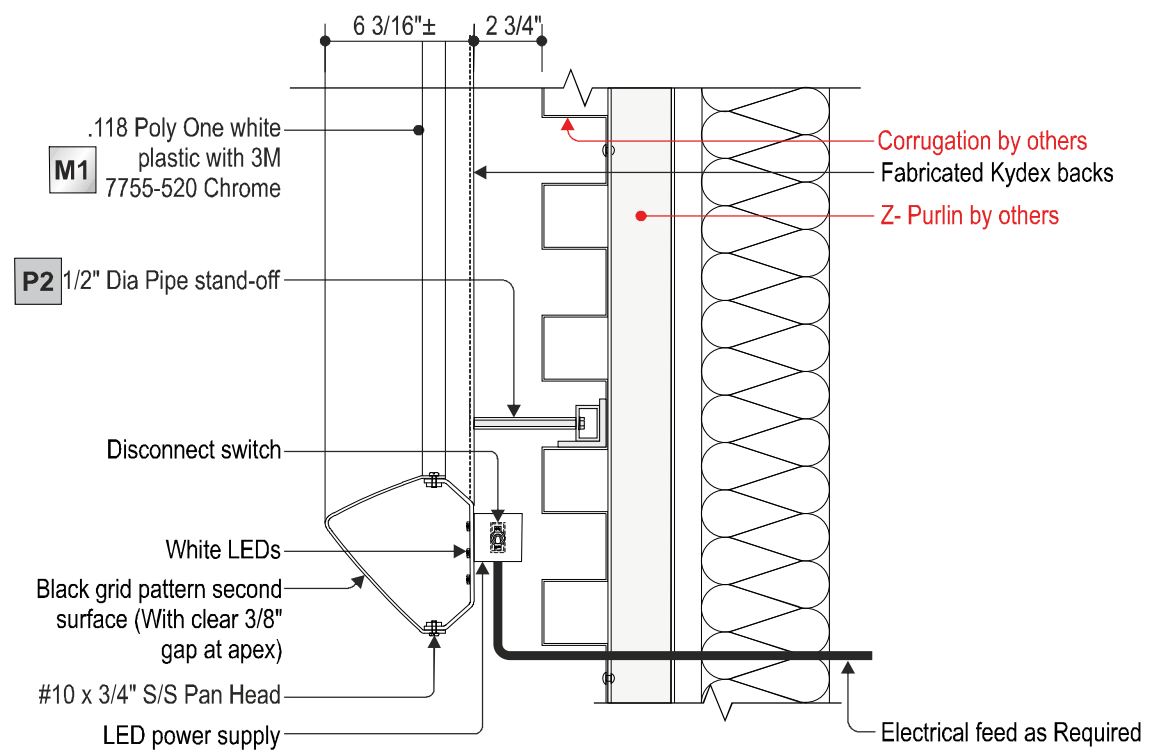
Color View

Scale: N.T.S. @ 11"x17"



Section @ Rings

Scale: 3"=1'-0" @ 11"x17"



Section View @ Power Supply Location

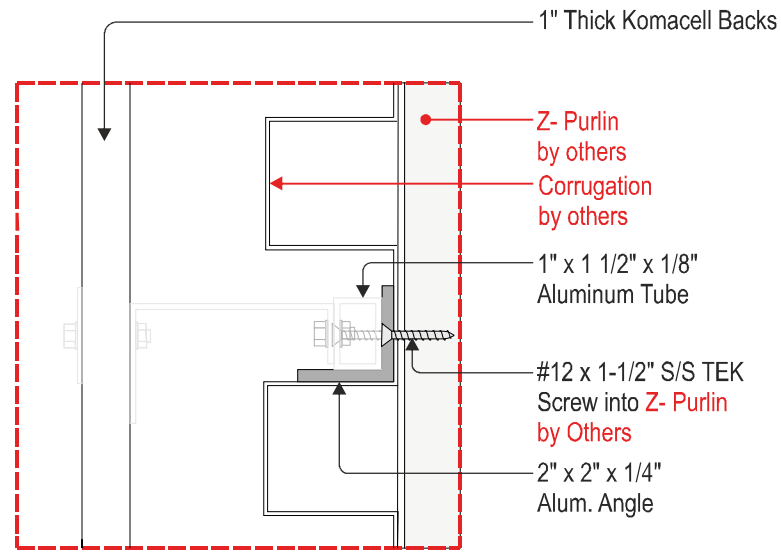
Specifications
Audi Rings on Support Tubes. Internally lit with white LED's. Poly One White Plastic White with Chrome and fabricated KYDEX Backs
Note: Primary Electrical and Final Electrical Connection by Others

Sign #1

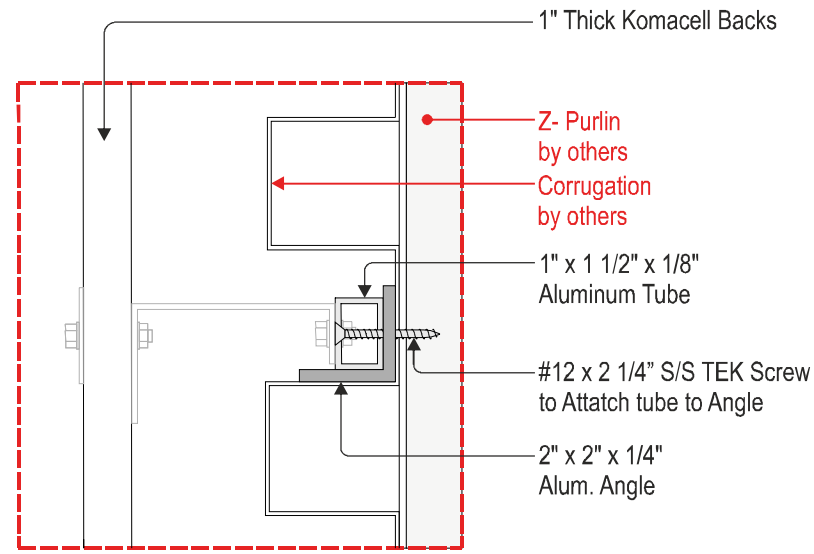
Date: 7/1/21	Project Name: Audi Calabasas	This is an original, unpublished drawing created by R&R Custom Signs. It is submitted for your personal use in conjunction with a project being planned for you by R&R Custom Signs, and shall not be reproduced, used by or disclosed to any firm or corporation for any purpose whatsoever without written permission.	First Revision	<input type="checkbox"/>	The requirements of Article 600 of the National Electrical Code and/or other applicable local codes. This includes proper grounding and bonding of the sign.
Scale: As noted	Address: 24650 Calabasas RD		Second Revision	<input type="checkbox"/>	
Drawn by: Sign Contractors Inc.	Calabasas, CA 91302		Third Revision	<input type="checkbox"/>	



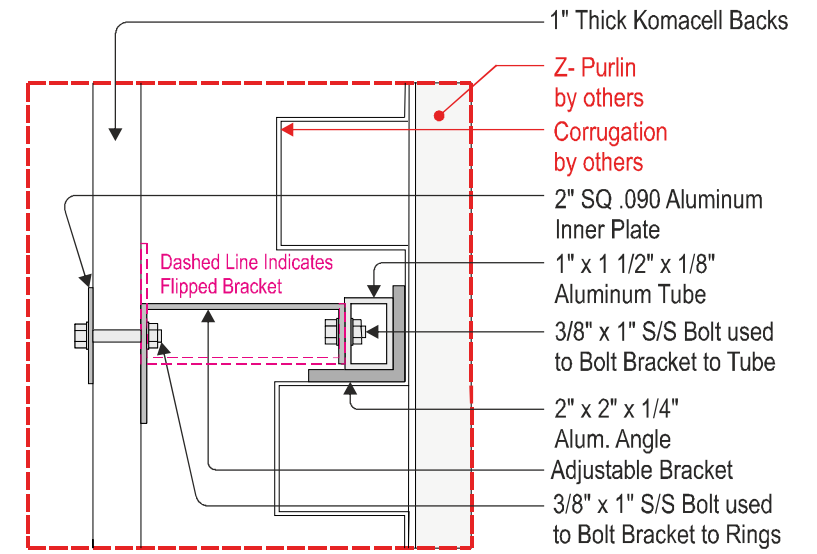
Color Specifications	
P2	
RAL 9006 Silver	



Angle to "Z" Purlin



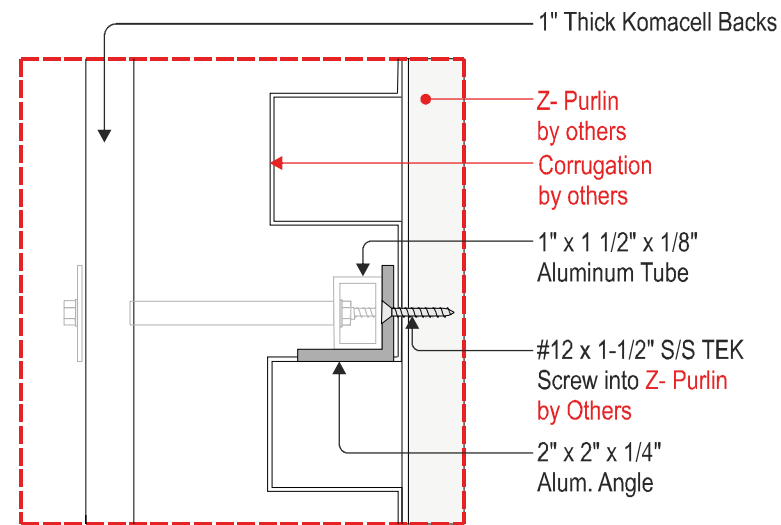
Support Tube to Mounting Angle



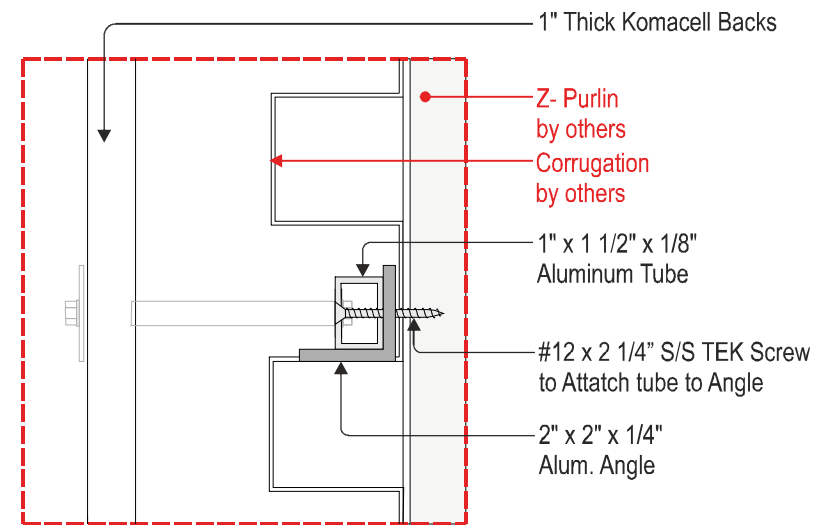
Letter to Bracket/Tube

Mounting Detail @ Top

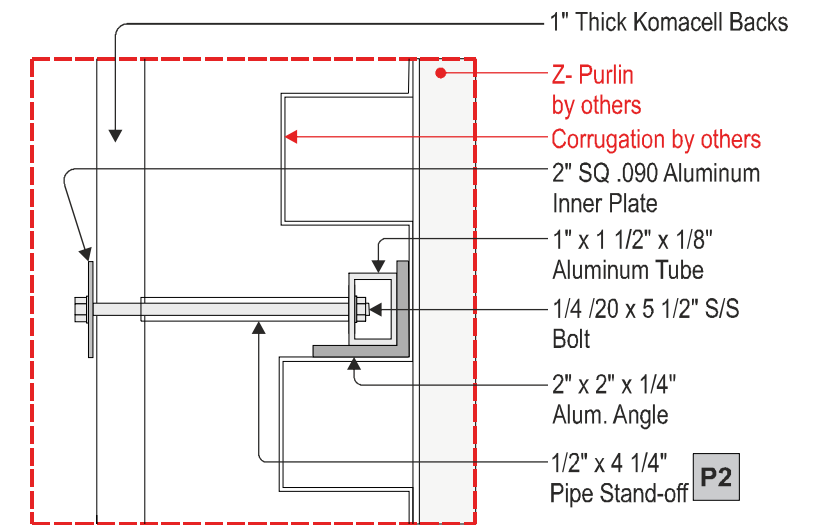
Scale: 1-1/2"=1'-0" @ 11x17



Angle to "Z" Purlin



Support Tube to Mounting Angle



Letter to Bracket/Tube

Mounting Detail @ Bottom

Scale: 1-1/2"=1'-0" @ 11x17

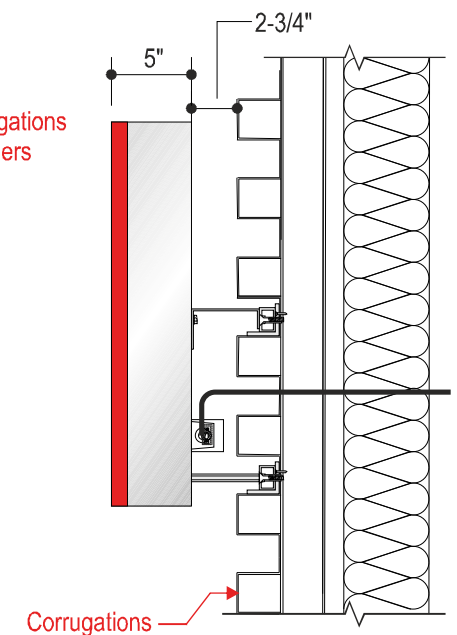
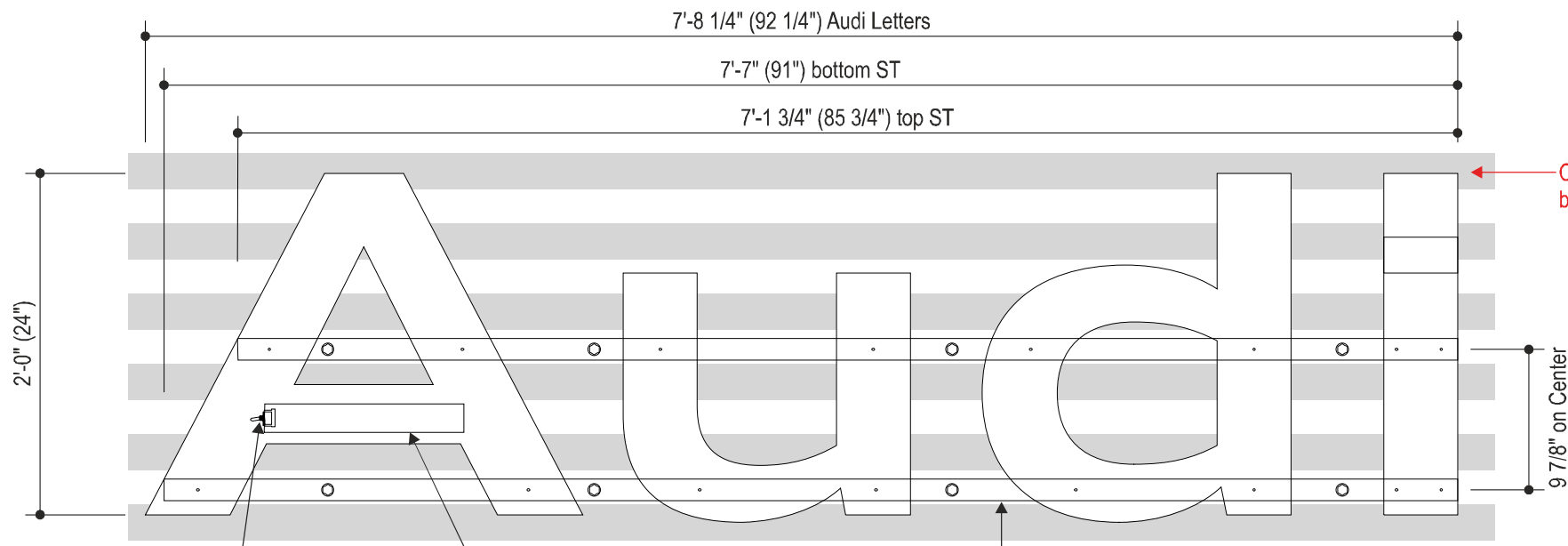


Sign #1

Date: 7/1/21	Project Name: Audi Calabasas	This is an original, unpublished drawing created by R&R Custom Signs. It is submitted for your personal use in conjunction with a project being planned for you by R&R Custom Signs, and shall not be reproduced, used by or disclosed to any firm or corporation for any purpose whatsoever without written permission.	First Revision <input type="checkbox"/>	The requirements of Article 600 of the National Electrical Code and/or other applicable local codes. This includes proper grounding and bonding of the sign.
Scale: As noted	Address: 24650 Calabasas RD		Second Revision <input type="checkbox"/>	
Drawn by: Sign Contractors Inc.	Calabasas, CA 91302		Third Revision <input type="checkbox"/>	

Square Feet: 2'-0" x 7'-8 1/4" = 15.38

Audi 24" Channel Letters with Support Tubing
ALT-24-ST Sign #2a

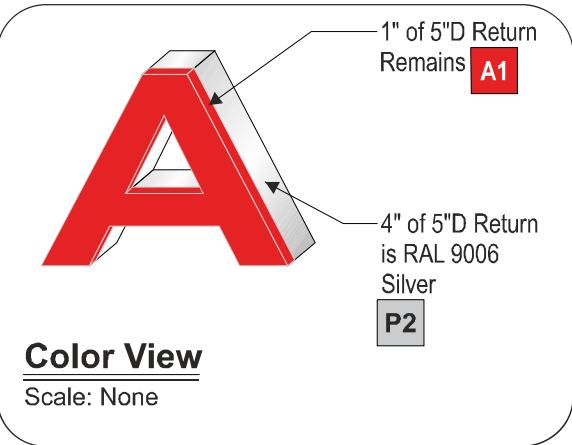


Side View
 Scale: 1"=1'-0" @ 11"x17"

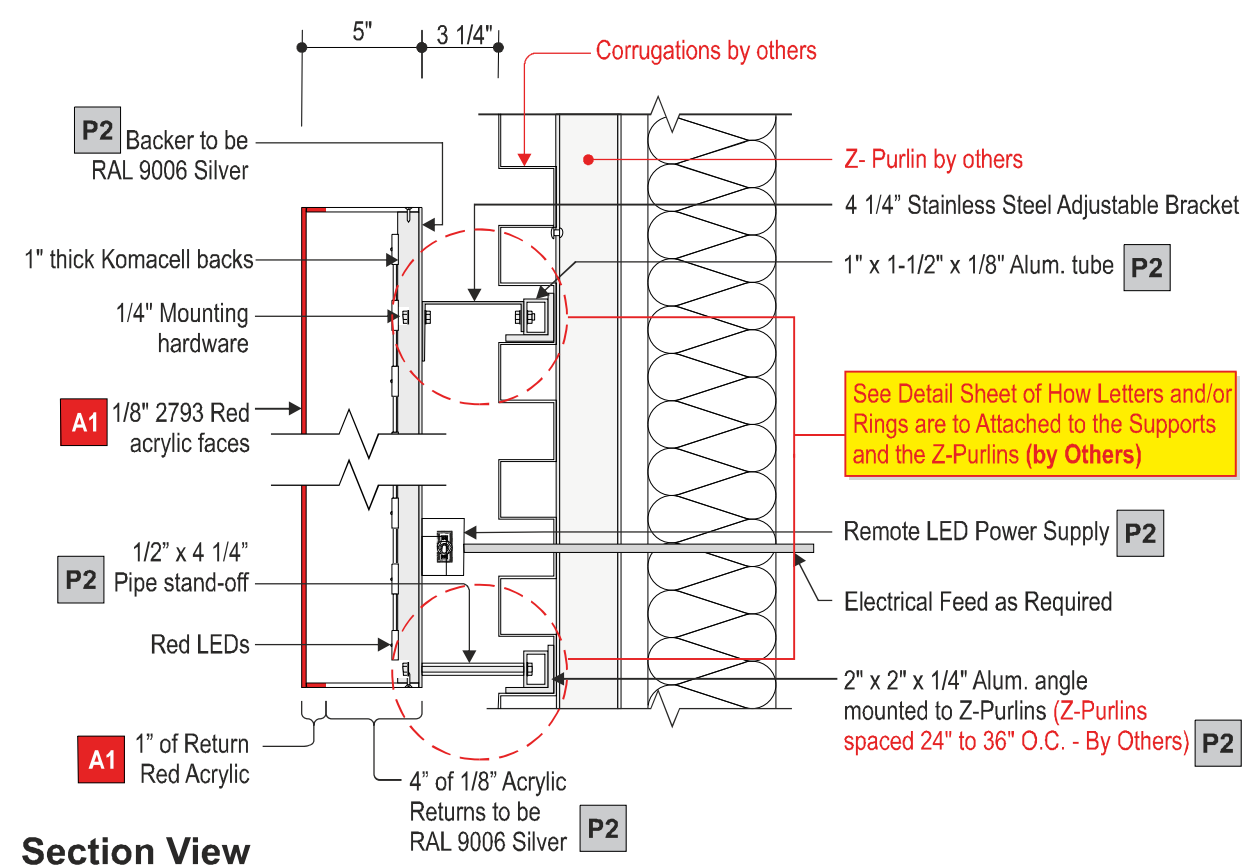
Disconnect switch
 1 3/4" x 2 3/8" x 14" power supply box (with disconnect switch) mounted behind letters, shown for illustration only. Actual placement may vary.

Note: Use Bottom Tube for Raceway

Structural - ALT-24-ST
 Scale: 1"=1'-0" @ 11"x17" QTY (1)



Color View
 Scale: None



Section View
 Scale: 1-1/2"=1'-0" @ 11x17

See Detail Sheet of How Letters and/or Rings are to Attached to the Supports and the Z-Purlins (by Others)

Sign Weight
40 lbs
Specifications
Channel Letters on Support Tubes. Internally lit with red (Audi) or white LED's (Dealer). Red Acrylic (Audi) or Day/Nite Acrylic (Dealer) Faces with returns painted silver.
Electrical Specifications
Power Supply: 12V/60W Qty Req'd: 1 @ 1.2 Amps Ea
Red LEDs
Max Amps Req'd: 1.2
Voltage Req'd: 120V/277V
Whip Length 10'-0"L Unless Otherwise Requested

Color Specifications
P2 RAL 9006 Silver

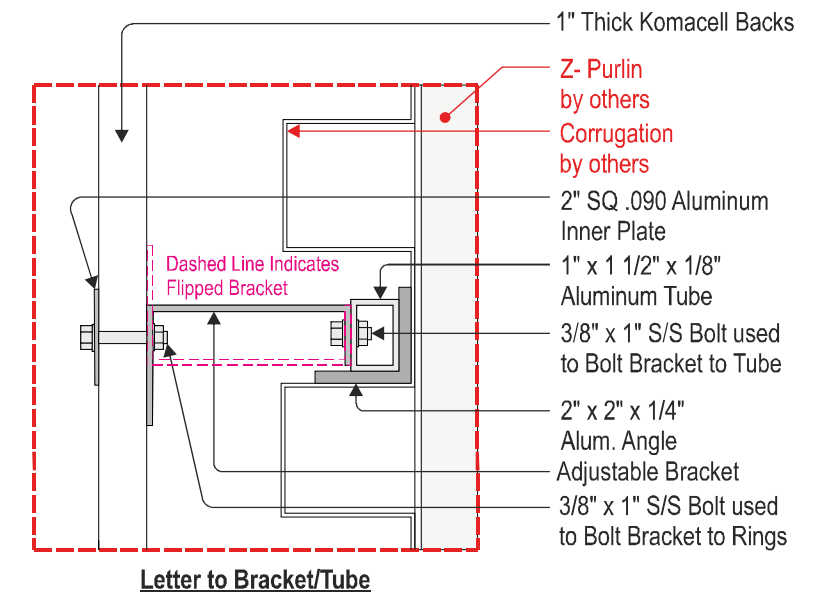
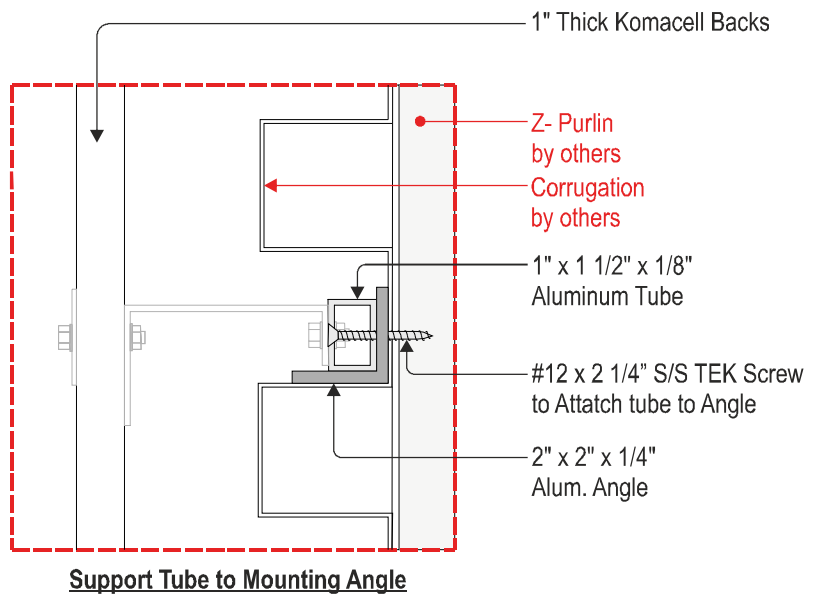
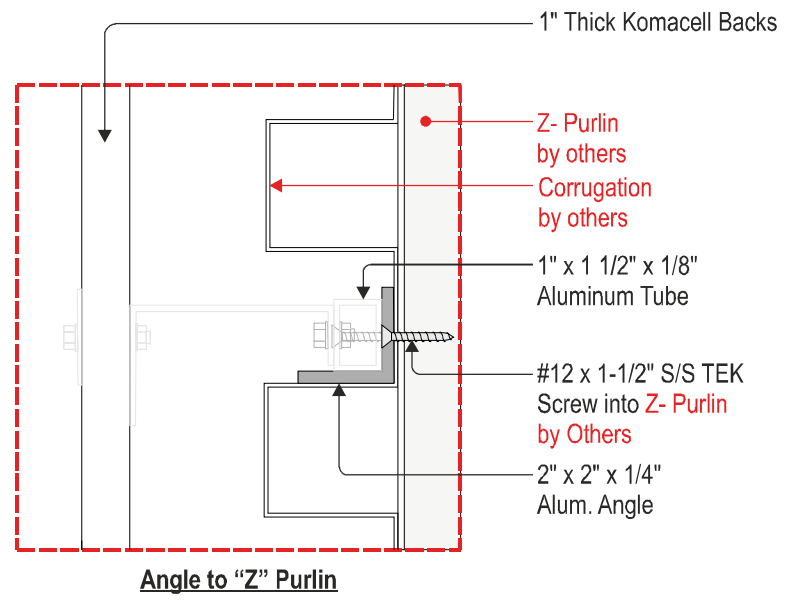
Acrylic Specifications
A1 Red 2793

Note: Primary Electrical and Final Electrical Connection by Others

Sign #2a

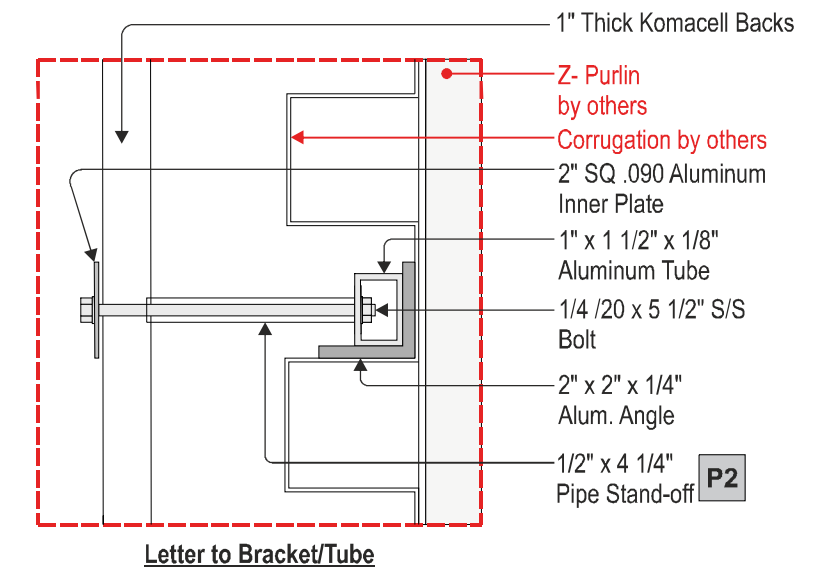
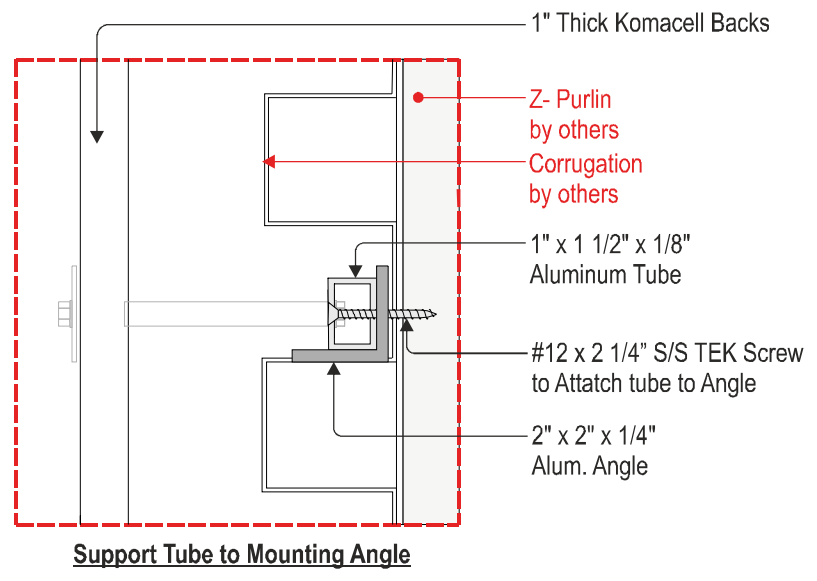
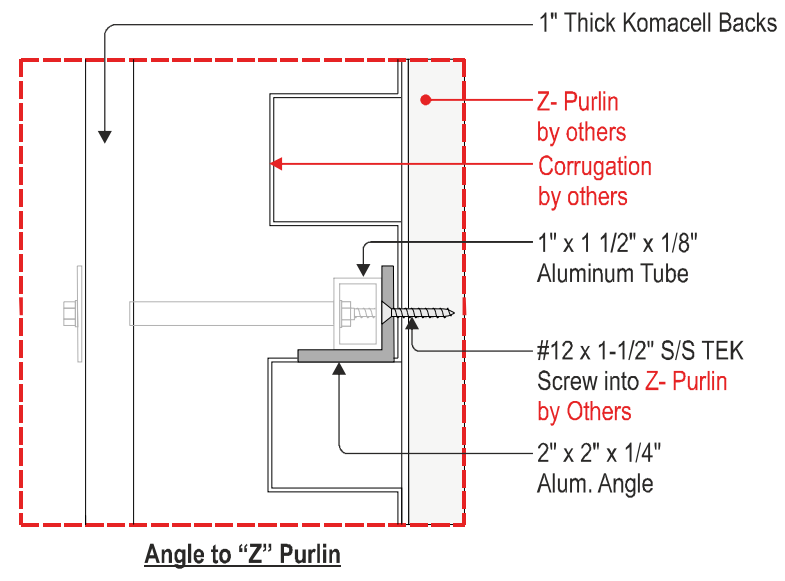
Date: 7/1/21	Project Name: Audi Calabasas	This is an original, unpublished drawing created by R&R Custom Signs. It is submitted for your personal use in conjunction with a project being planned for you by R&R Custom Signs, and shall not be reproduced, used by or disclosed to any firm or corporation for any purpose whatsoever without written permission.	First Revision <input type="checkbox"/>	The requirements of Article 600 of the National Electrical Code and/or other applicable local codes. This includes proper grounding and bonding of the sign.
Scale: As noted	Address: 24650 Calabasas RD		Second Revision <input type="checkbox"/>	
Drawn by: Sign Contractors Inc.	Calabasas, CA 91302		Third Revision <input type="checkbox"/>	





Mounting Detail @ Top

Scale: 1-1/2"=1'-0" @ 11x17



Mounting Detail @ Bottom

Scale: 1-1/2"=1'-0" @ 11x17

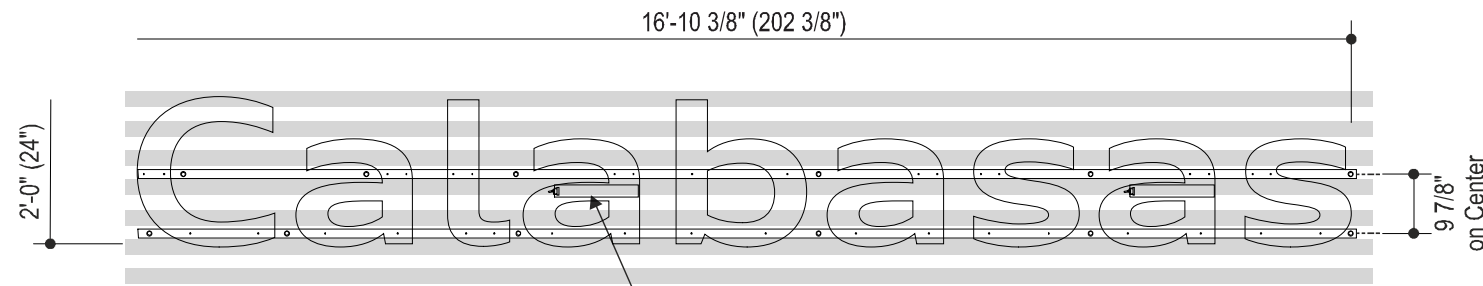


Sign #2a

Date: 7/1/21	Project Name: Audi Calabasas	This is an original, unpublished drawing created by R&R Custom Signs. It is submitted for your personal use in conjunction with a project being planned for you by R&R Custom Signs, and shall not be reproduced, used by or disclosed to any firm or corporation for any purpose whatsoever without written permission.	First Revision	<input type="checkbox"/>	The requirements of Article 600 of the National Electrical Code and/or other applicable local codes. This includes proper grounding and bonding of the sign.
Scale: As noted	Address: 24650 Calabasas RD		Second Revision	<input type="checkbox"/>	
Drawn by: Sign Contractors Inc.	Calabasas, CA 91302		Third Revision	<input type="checkbox"/>	

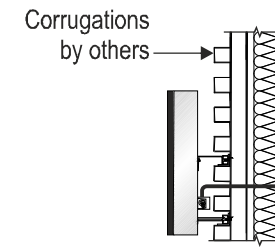
Square Feet: 2'-0" x 16'-10 3/8" = 33.72

Audi 24" Dealer Name Channel Letters with Support Tubing
ADL-24-ST Sign #2b



Structural - ADL-24-ST

Scale: 3/8"=1'-0" @ 11"x17" (Qty : 1) Set 9 Letters



Side View

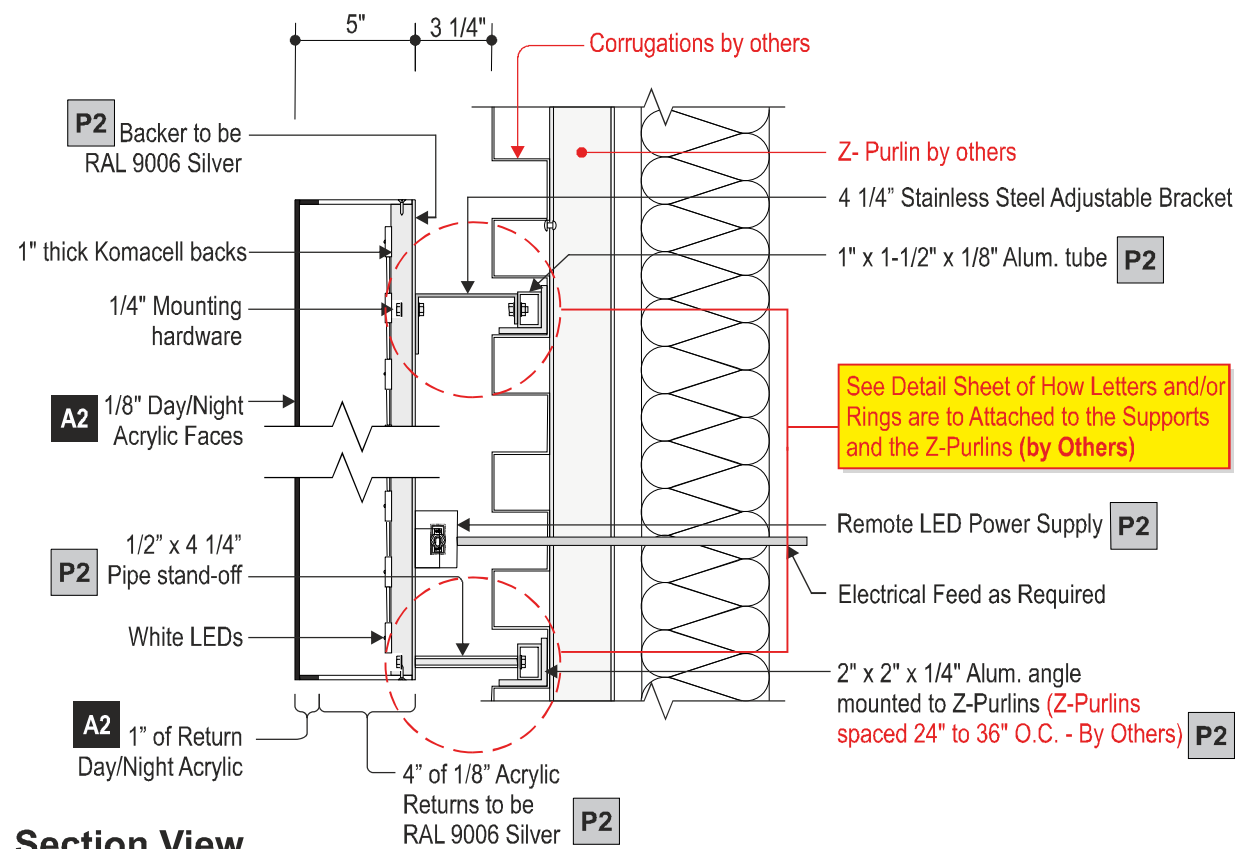
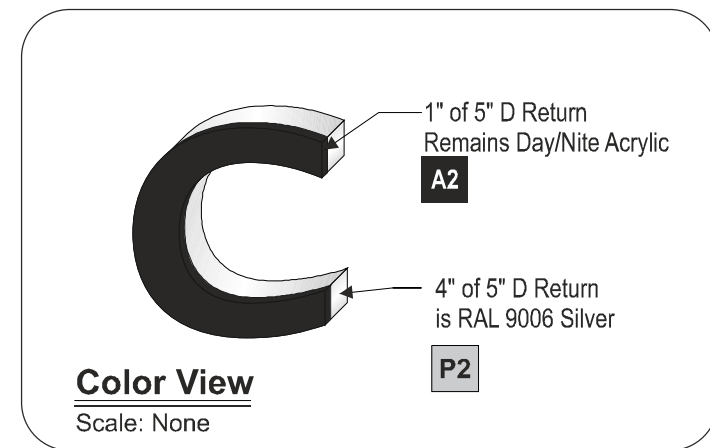
Scale: 3/8"=1'-0" @ 11"x17"

2'-0" (24")

Calabasas

Color View

Scale: 3/8"=1'-0" @ 11"x17"



Section View

Scale: 1-1/2"=1'-0" @ 11x17

Sign Weight
90 lbs
Specifications
Channel Letters on Support Tubes. Internally lit with red (Audi) or white LED's (Dealer). Red Acrylic (Audi) or Day/Nite Acrylic (Dealer) Faces with returns painted silver.

Electrical Specifications
Power Supply: 12V/60W Qty Req'd: 2 @ 1.2 Amps Ea
White LEDs
Max Amps Req'd: 2.4
Voltage Req'd: 120-277V
Whip Length 10'-0"L Unless Otherwise Requested

Color Specifications
P2 RAL 9006 Silver

Acrylic Specifications
A2 Day/Night

Note: Primary Electrical and Final Electrical Connection by Others

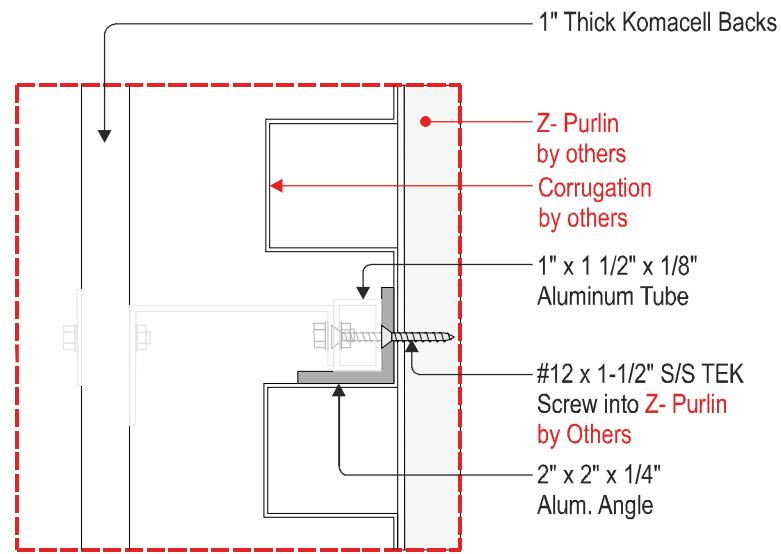
See Detail Sheet of How Letters and/or Rings are to Attached to the Supports and the Z-Purlins (by Others)

Sign #2b

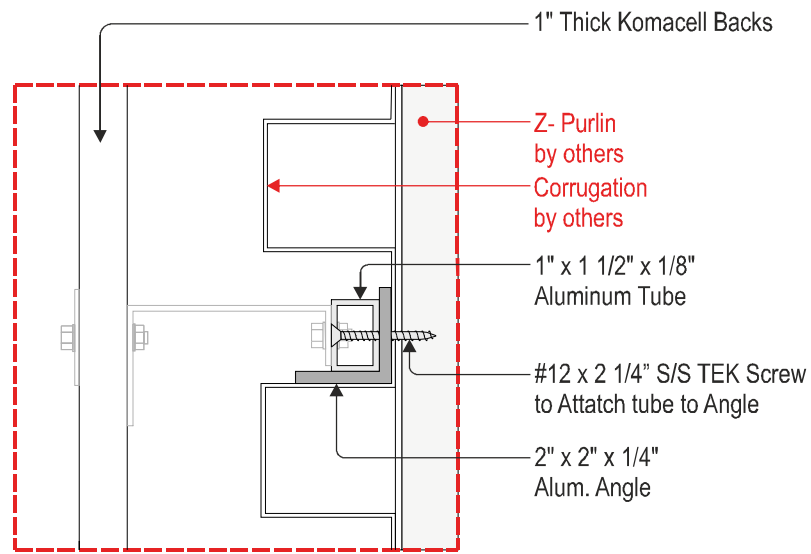
Date: 7/1/21	Project Name: Audi Calabasas	This is an original, unpublished drawing created by R&R Custom Signs. It is submitted for your personal use in conjunction with a project being planned for you by R&R Custom Signs, and shall not be reproduced, used by or disclosed to any firm or corporation for any purpose whatsoever without written permission.	First Revision <input type="checkbox"/>	The requirements of Article 600 of the National Electrical Code and/or other applicable local codes. This includes proper grounding and bonding of the sign.
Scale: As noted	Address: 24650 Calabasas RD		Second Revision <input type="checkbox"/>	
Drawn by: Sign Contractors Inc.	Calabasas, CA 91302		Third Revision <input type="checkbox"/>	



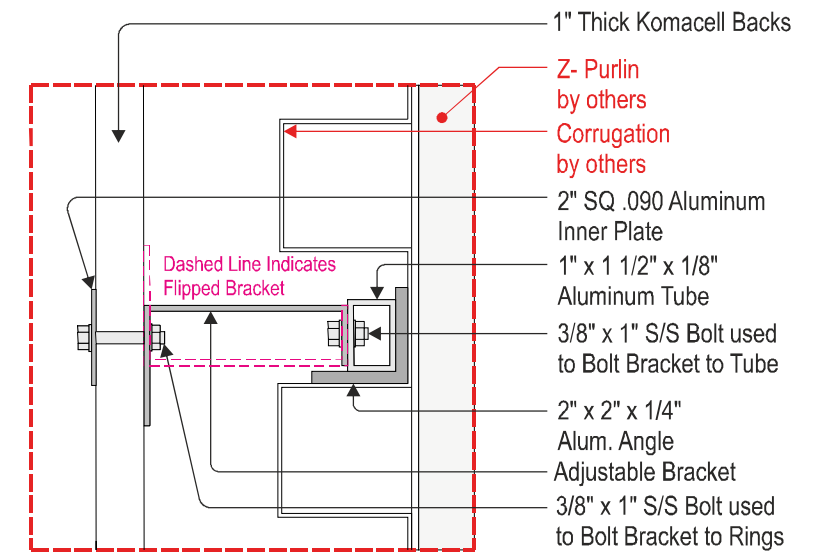
Color Specifications	
P2	
RAL 9006	
Silver	



Angle to "Z" Purlin



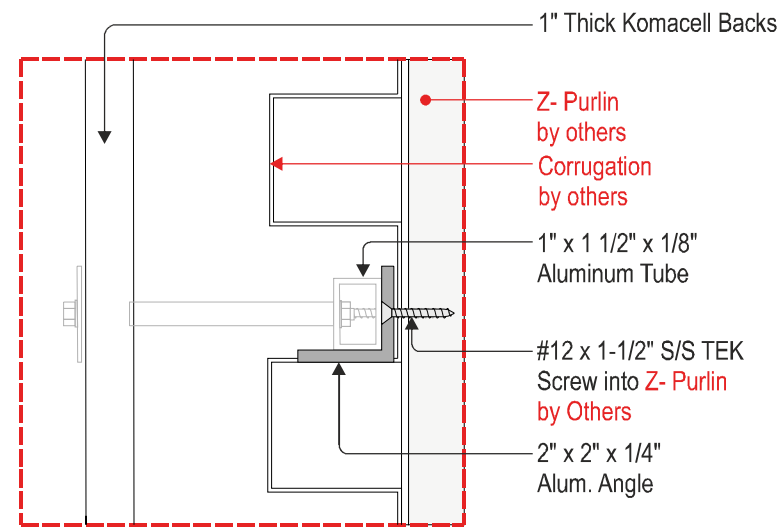
Support Tube to Mounting Angle



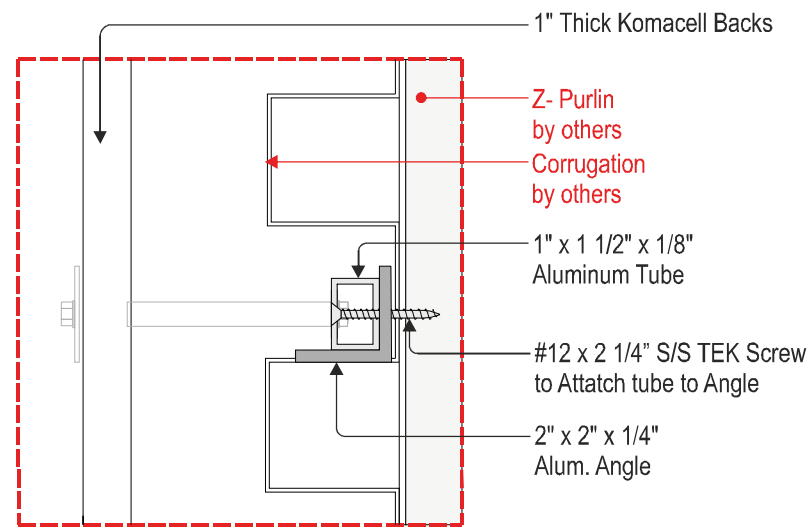
Letter to Bracket/Tube

Mounting Detail @ Top

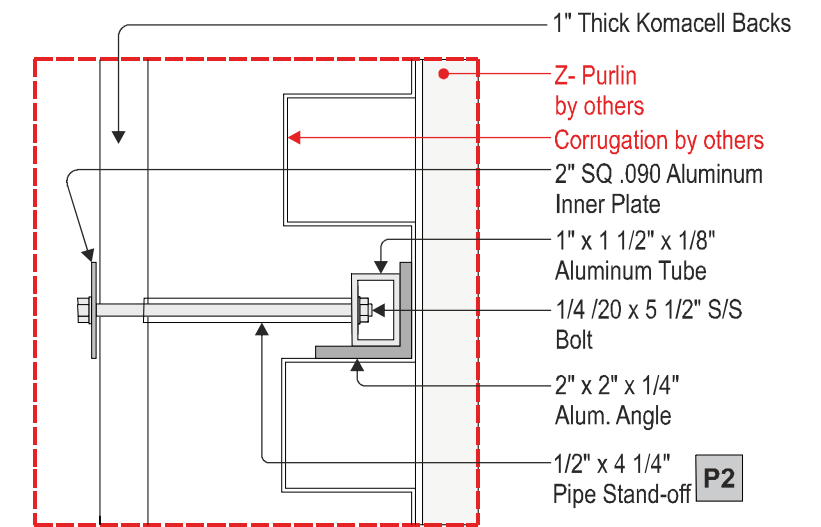
Scale: 1-1/2"=1'-0" @ 11x17



Angle to "Z" Purlin



Support Tube to Mounting Angle



Letter to Bracket/Tube

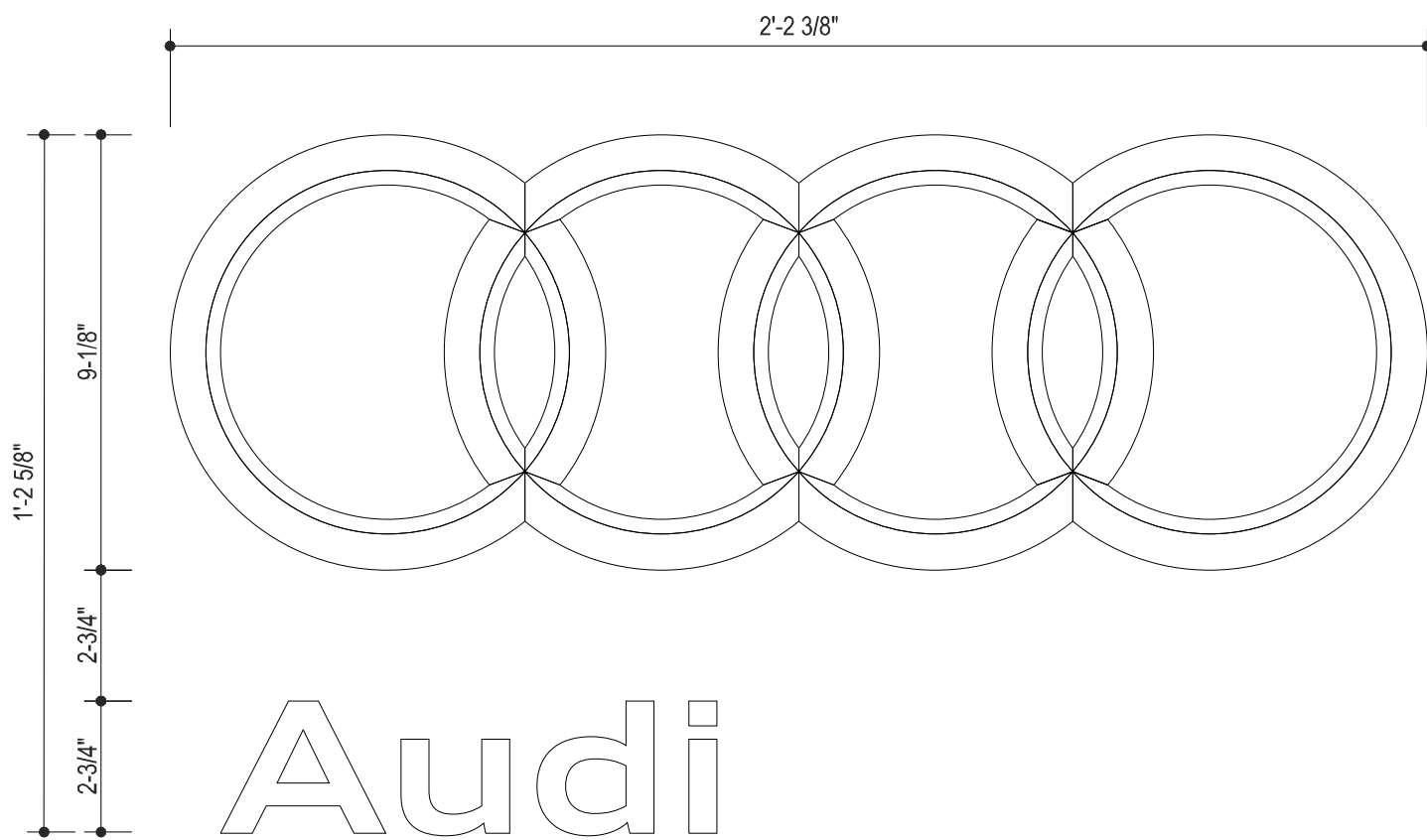
Mounting Detail @ Bottom

Scale: 1-1/2"=1'-0" @ 11x17



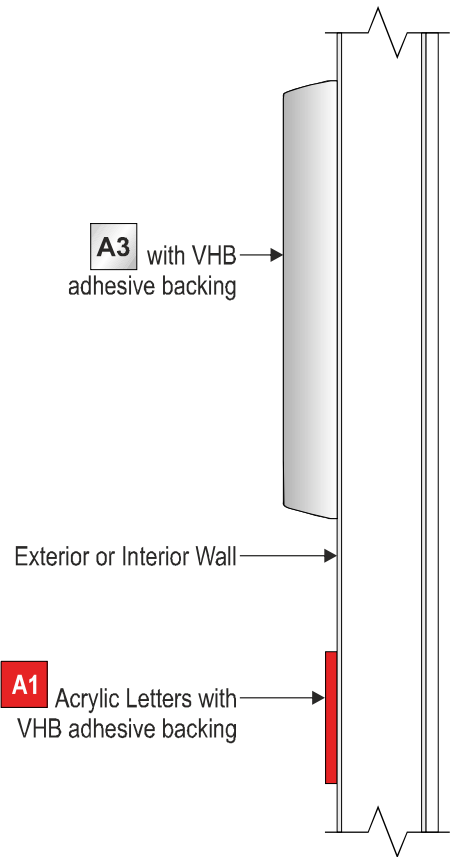
Sign #2b

Date: 7/1/21	Project Name: Audi Calabasas	This is an original, unpublished drawing created by R&R Custom Signs. It is submitted for your personal use in conjunction with a project being planned for you by R&R Custom Signs, and shall not be reproduced, used by or disclosed to any firm or corporation for any purpose whatsoever without written permission.	First Revision	<input type="checkbox"/>	The requirements of Article 600 of the National Electrical Code and/or other applicable local codes. This includes proper grounding and bonding of the sign.
Scale: As noted	Address: 24650 Calabasas RD		Second Revision	<input type="checkbox"/>	
Drawn by: Sign Contractors Inc.	Calabasas, CA 91302		Third Revision	<input type="checkbox"/>	



Structural Elevation

Scale: 3"=1'-0" @ 11"x17" Qty(1)



Side Elevation

Scale: 3"=1'-0" @ 11"x17"

AEE-670 Rings and Audi Letters
Sign #3

1'-2 5/8" x 2'-2 3/8" = 2.7 SqFt

Approx Weight: 6 lbs

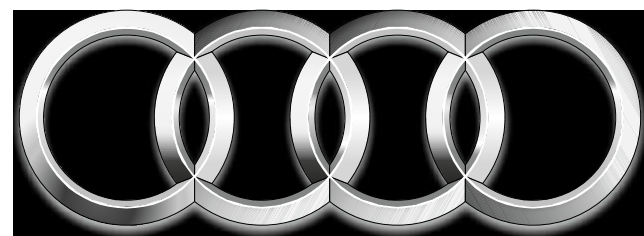
Specifications

Surface Mounted Non-Illuminated with Red Acrylic "Audi" Letters. Rings and Letters Applied to Surface with VHB Backing.

Acrylic Specifications

A1
Red 2793

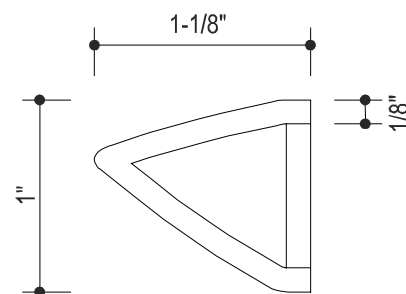
A3
Acrylic Letters



Audi

Color View

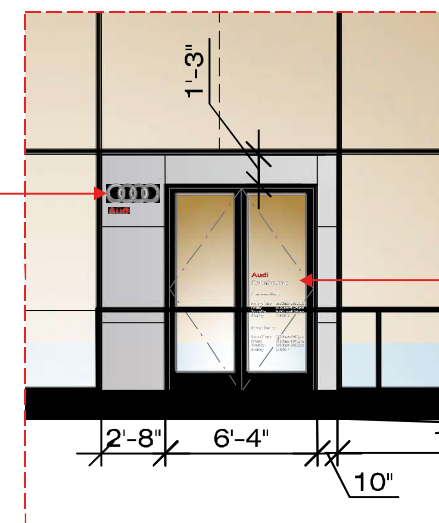
Scale: 1-1/2"=1'-0" @ 11"x17"



Section View

Scale: Full Size @ 11"x17"

Sign #3 AEE-670
2.7 Sq Ft - Sheet 304
Align Top of Rings with
Top of Doors and
Center in 2'-8" Dimension



Entrance
Hours Vinyl #2
Sheet 306

Elevation

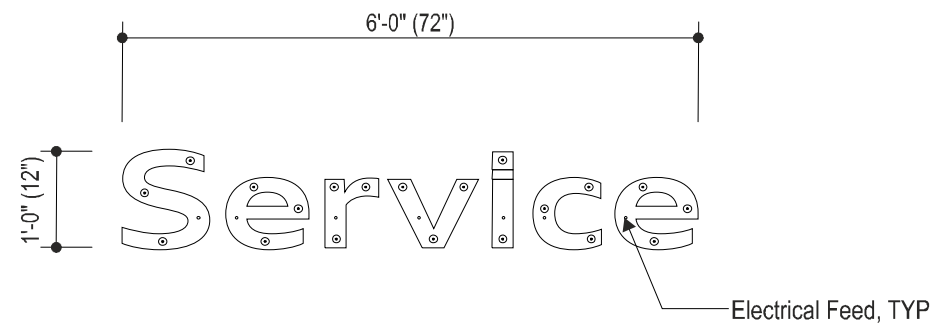
Scale: 1/8"=1'-0" @ 11x17

Sign #3

Date: 7/1/21	Project Name: Audi Calabasas	This is an original, unpublished drawing created by R&R Custom Signs. It is submitted for your personal use in conjunction with a project being planned for you by R&R Custom Signs, and shall not be reproduced, used by or disclosed to any firm or corporation for any purpose whatsoever without written permission.	First Revision <input type="checkbox"/>	The requirements of Article 600 of the National Electrical Code and/or other applicable local codes. This includes proper grounding and bonding of the sign.
Scale: As noted	Address: 24650 Calabasas RD		Second Revision <input type="checkbox"/>	
Drawn by: Sign Contractors Inc.	Calabasas, CA 91302		Third Revision <input type="checkbox"/>	

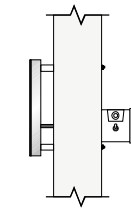


Audi 12" "Service" Secondary Channel Letters
"Low Profile" AS-12-LP
Sign #4



Structural Elevation

Scale: 1/2"=1'-0" @ 11x17 Qty : (7) Letters



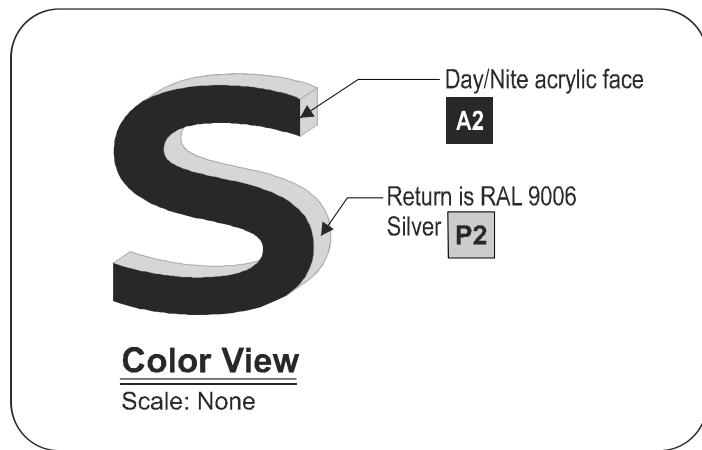
Side View

Scale: 1/2"=1'-0" @ 11"x17"



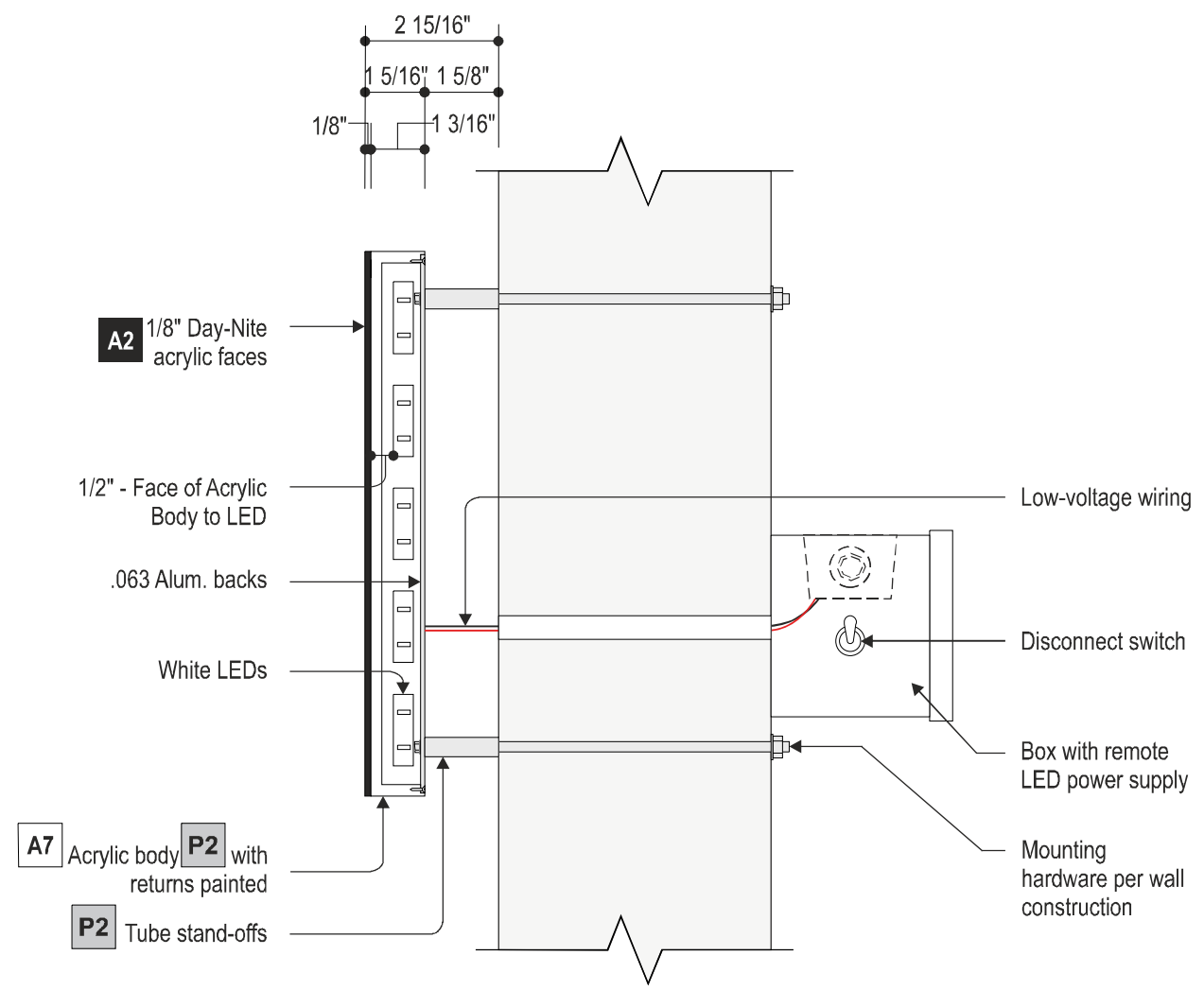
Color Elevation

Scale: 1/2"=1'-0" @ 11x17



Color View

Scale: None



Section View

Scale: 3"=1'-0" @ 11"x17"

Sign Weight

35 lbs

Electrical Specifications

Power Supply: **12V/60W**
Qty Req'd: **1 @ 1.20 Amps Ea**

White LEDs

Max Amps Req'd: **1.20**

Voltage Req'd: **120V/277V**

Whip Length 10'-0"L Unless
Otherwise Requested

Color Specifications

P2
RAL 9006
Silver

Acrylic Specifications

A2 Day/Nite
A7 1 3/16" LED Block

Specifications

Low Profile Internally Illuminated
Channel Letters with Black Day/Night
Faces and Returns painted Silver.

**Note: Primary Electrical and Final
Electrical Connection by Others**

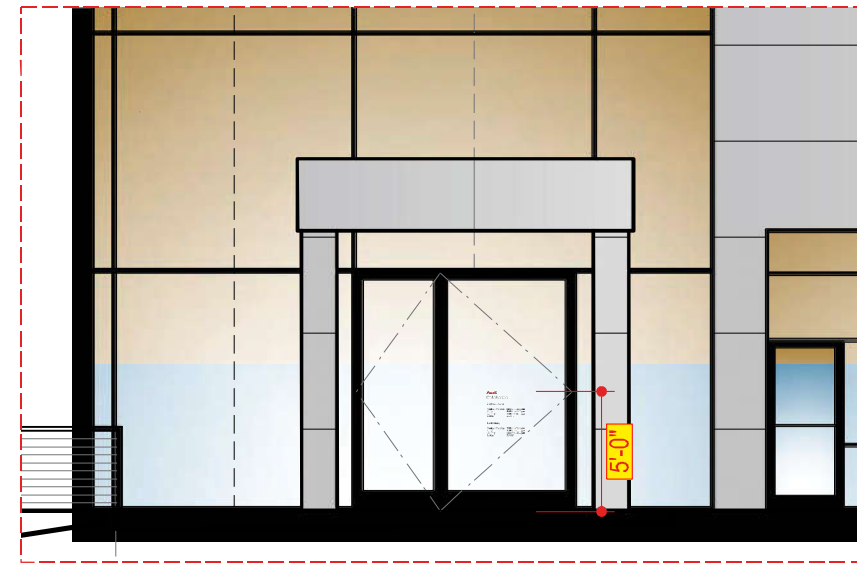
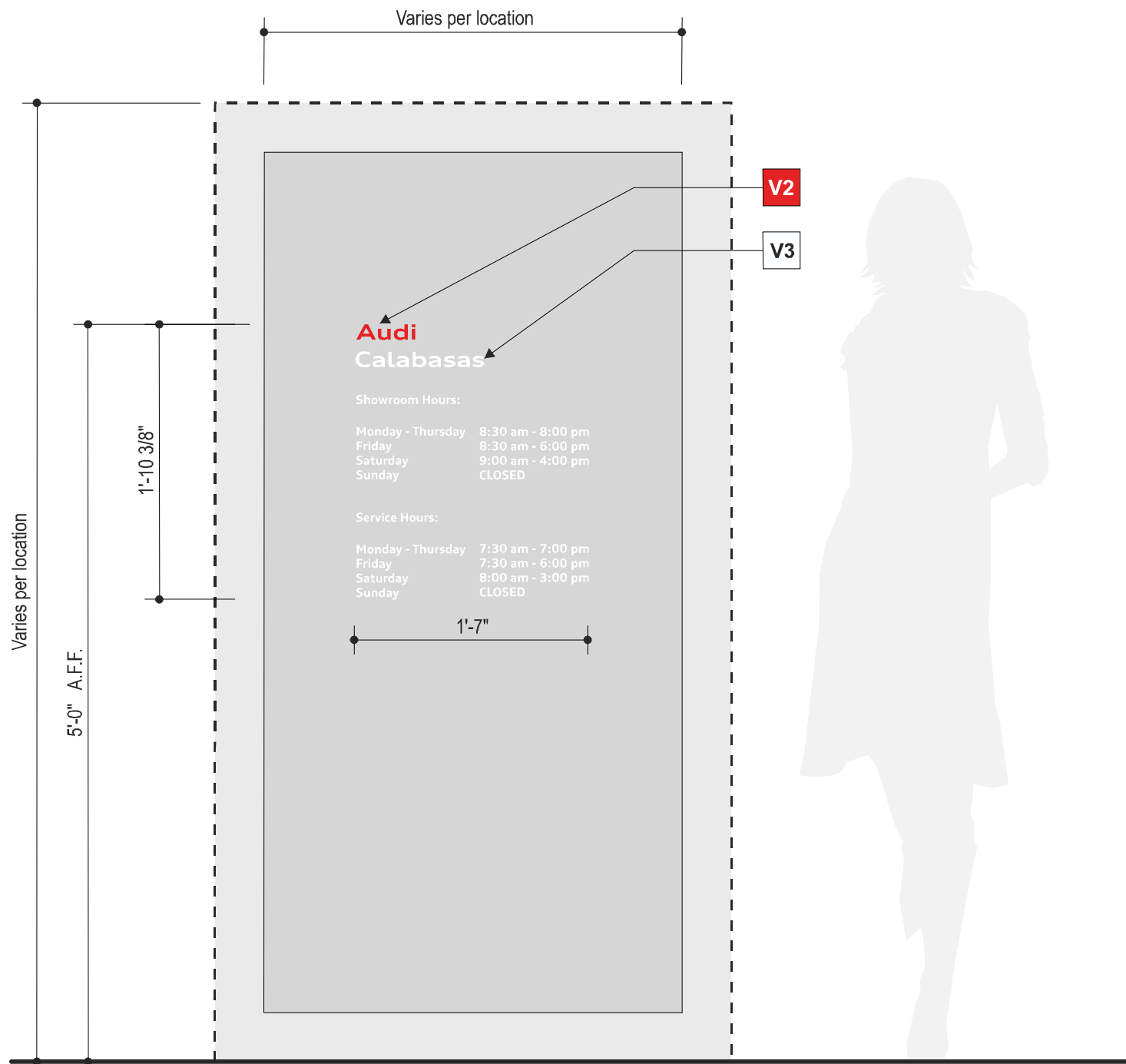
Sign #4

Date: 7/1/21	Project Name: Audi Calabasas	This is an original, unpublished drawing created by R&R Custom Signs. It is submitted for your personal use in conjunction with a project being planned for you by R&R Custom Signs, and shall not be reproduced, used by or disclosed to any firm or corporation for any purpose whatsoever without written permission.	First Revision <input type="checkbox"/>	The requirements of Article 600 of the National Electrical Code and/or other applicable local codes. This includes proper grounding and bonding of the sign.
Scale: As noted	Address: 24650 Calabasas RD		Second Revision <input type="checkbox"/>	
Drawn by: Sign Contractors Inc.	Calabasas, CA 91302		Third Revision <input type="checkbox"/>	



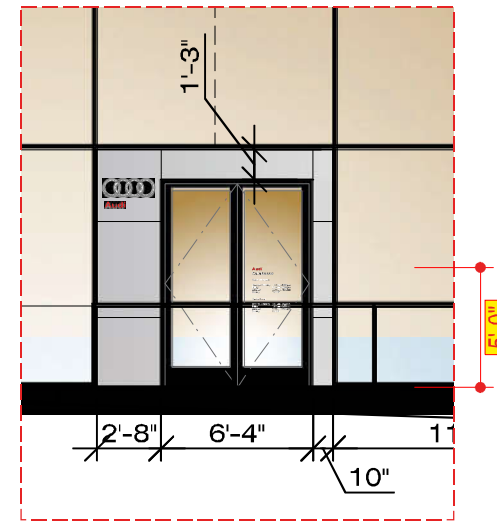
CUSTOM Window Vinyl Copy Dealer Name
and Opening Hours
Vinyl #1, #2 and #3
23.375 x 19 = 2.95 SqFt

Font Specifications	
All fonts to be Audi Type Extended	
Vinyl Specifications	
V2 3M-3630-33 Red Vinyl	V3 3M-7725-10 Gloss White Opaque Vinyl



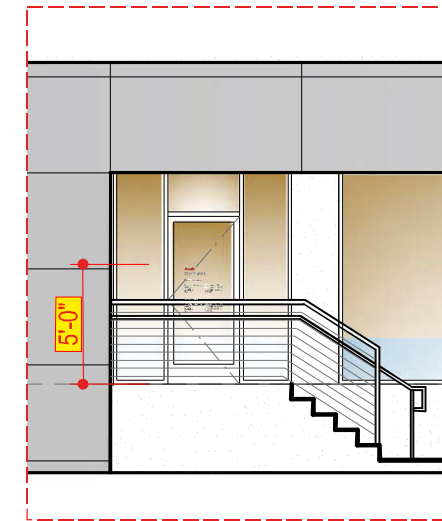
Enlarged View - Vinyl #1

Scale: 1/8"=1'-0" @ 11x17



Enlarged View - Vinyl #2

Scale: 1/8"=1'-0" @ 11x17



Enlarged View - Vinyl #3

Scale: 1/8"=1'-0" @ 11x17

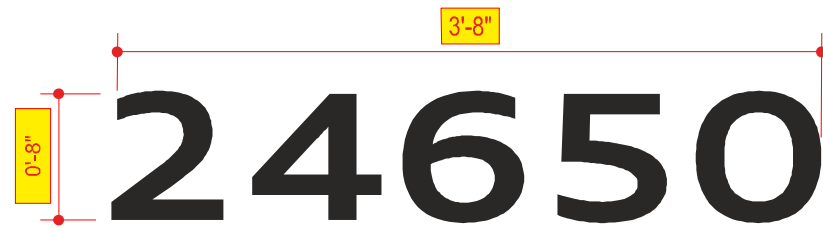
Elevation

Scale: 1"=1'-0" @ 11x17 Qty : (3)

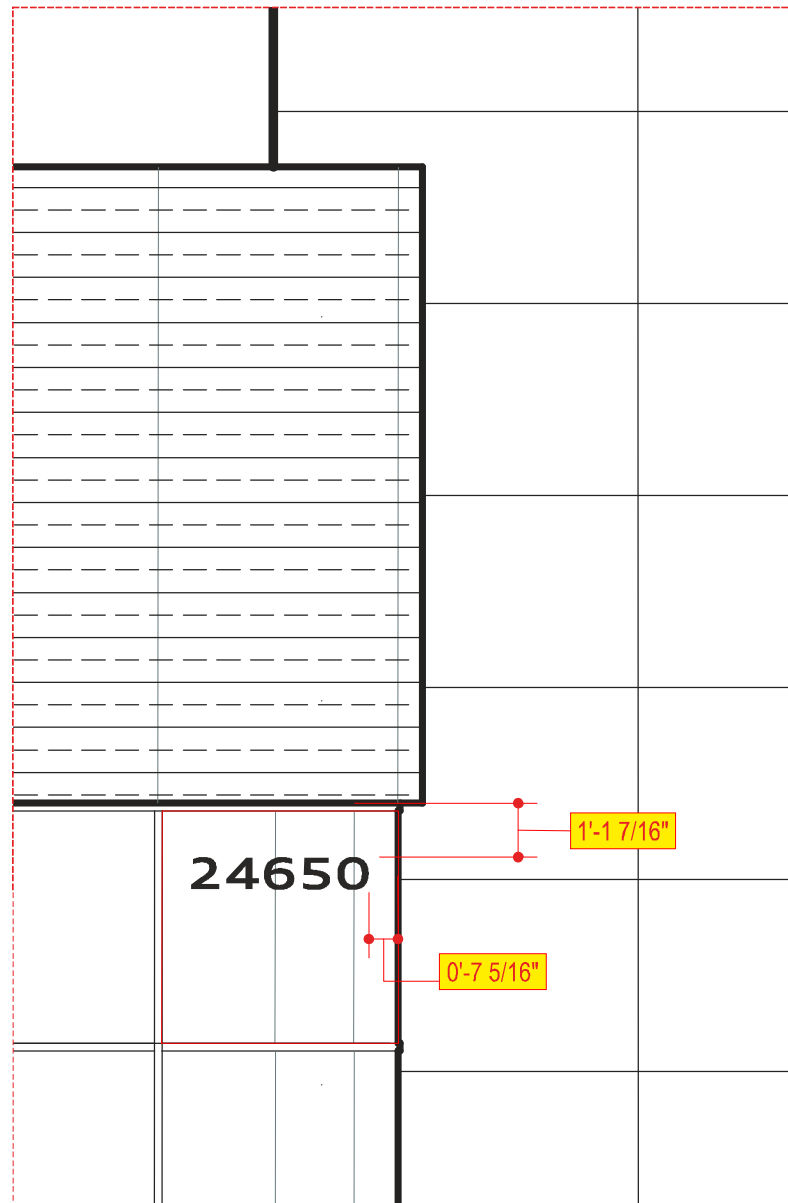


Sign #6,7,8

Date: 7/1/21	Project Name: Audi Calabasas	This is an original, unpublished drawing created by R&R Custom Signs. It is submitted for your personal use in conjunction with a project being planned for you by R&R Custom Signs, and shall not be reproduced, used by or disclosed to any firm or corporation for any purpose whatsoever without written permission.	First Revision <input type="checkbox"/>	The requirements of Article 600 of the National Electrical Code and/or other applicable local codes. This includes proper grounding and bonding of the sign.
Scale: As noted	Address: 24650 Calabasas RD		Second Revision <input type="checkbox"/>	
Drawn by: Sign Contractors Inc.	Calabasas, CA 91302		Third Revision <input type="checkbox"/>	



Sign #9 Address Vinyl
Scale: 1"=1'-0" @ 11x17



Vinyl Location Detail
Scale: 1/4"=1'-0" @ 11x17

Vinyl is applied 1st Surface

Address Vinyl Copy

Font Specifications
All fonts to be Audi Type Extended
Vinyl Specifications
V1 4500-03 Black Vinyl



Sign #9

Date: 7/1/21	Project Name: Audi Calabasas	This is an original, unpublished drawing created by R&R Custom Signs. It is submitted for your personal use in conjunction with a project being planned for you by R&R Custom Signs, and shall not be reproduced, used by or disclosed to any firm or corporation for any purpose whatsoever without written permission.	First Revision <input type="checkbox"/>	The requirements of Article 600 of the National Electrical Code and/or other applicable local codes. This includes proper grounding and bonding of the sign.
Scale: As noted	Address: 24650 Calabasas RD		Second Revision <input type="checkbox"/>	
Drawn by: Sign Contractors Inc.	Calabasas, CA 91302		Third Revision <input type="checkbox"/>	

CUSTOM Monument - Sign #5

20'-0" x 7'-6" = 150.0 SqFt

Specifications

Monument is made of 4mm Alucobond Audi Silver Metallic with dark grey mica DB 703 skirt and base.

The reveal is non-illuminated

The logo and Audi letters are back lit with LEDs (Logo is 1000mm/75 3/16")

Address: Black Vinyl Copy in Audi Type Extended

Color Specifications

P1	P2
Dark Grey Mica DB 703	RAL 9006 Silver

Acrylic Specifications

A1	A4
Red 2793	7328 white acrylic backer with direct digital print

Vinyl Specifications

V1
4500-03 Black Vinyl

Electrical Specifications

Power Supply: **12v/60w**
Qty Req'd: **4 @ 1.2 Amps Ea**

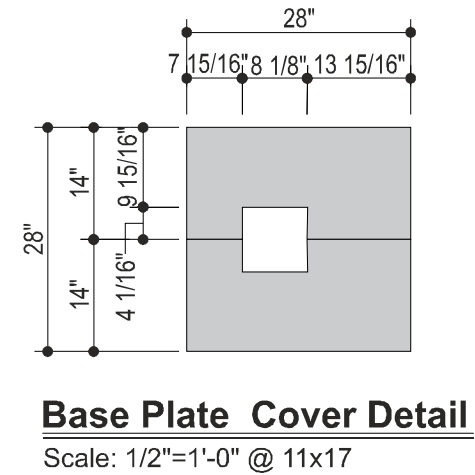
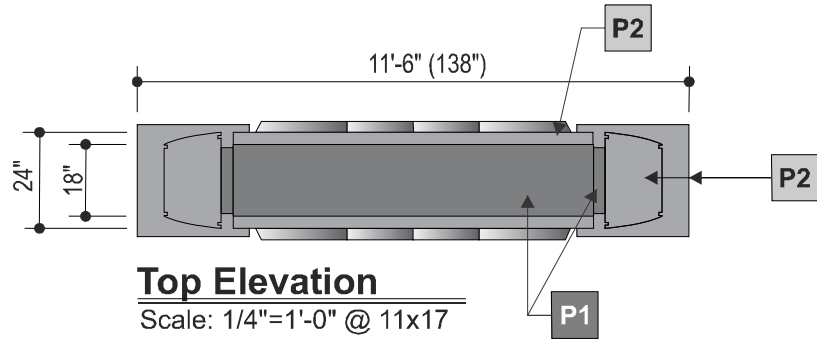
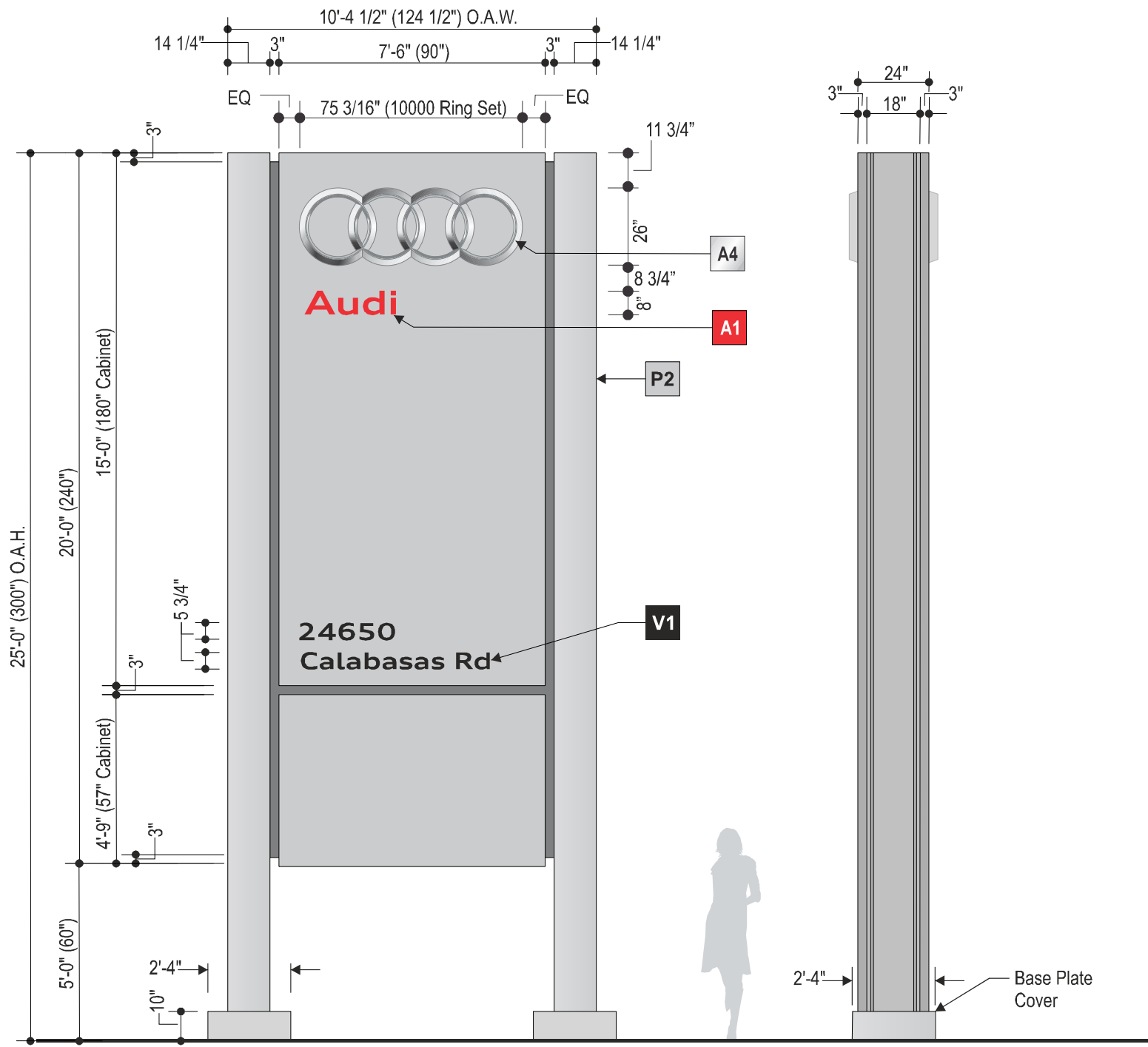
White LEDs

LED Power Supply:
Qty Req'd: **2 @ 1.2 Amps Ea**

Max. Amps Req'd: **7.2**

Voltage Req'd: **120V-277V**

Note: Primary Electrical and Final Electrical Connection by Others



Multi Brand Monument
Scale: 1/4"=1'-0" @ 11x17

Side Elevation
Scale: 1/4"=1'-0" @ 11x17



Date: 7/1/21	Project Name: Audi Calabasas	This is an original, unpublished drawing created by R&R Custom Signs. It is submitted for your personal use in conjunction with a project being planned for you by R&R Custom Signs, and shall not be reproduced, used by or disclosed to any firm or corporation for any purpose whatsoever without written permission.	First Revision <input type="checkbox"/>	The requirements of Article 600 of the National Electrical Code and/or other applicable local codes. This includes proper grounding and bonding of the sign.
Scale: As noted	Address: 24650 Calabasas RD		Second Revision <input type="checkbox"/>	
Drawn by: Sign Contractors Inc.	Calabasas, CA 91302		Third Revision <input type="checkbox"/>	

Sign #5

Color Specifications

P1	P2
Dark Grey Mica DB 703	RAL 9006 Silver

Acrylic Specifications

A1	A4
Red 2793	7328 white acrylic backer with direct digital print

Vinyl Specifications

V1
4500-03 Black Vinyl

Electrical Specifications

Power Supply: **12v/60w**
Qty Req'd: **4 @ 1.2 Amps Ea**

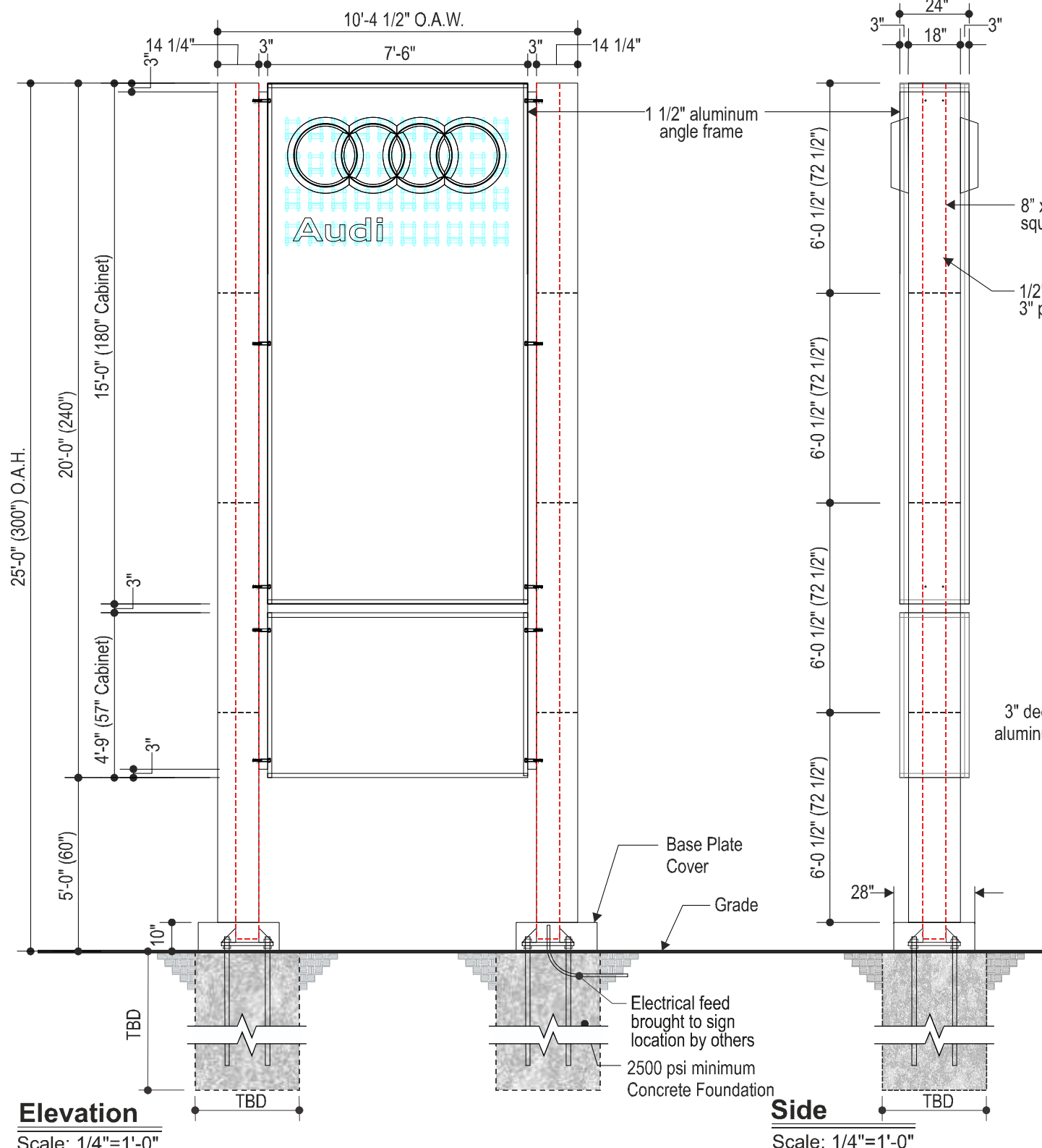
White LEDs

LED Power Supply:
Qty Req'd: **2 @ 1.2 Amps Ea**

Max. Amps Req'd: **7.2**

Voltage Req'd: **120V-277V**

**Note: Primary Electrical and Final
Electrical Connection by Others**

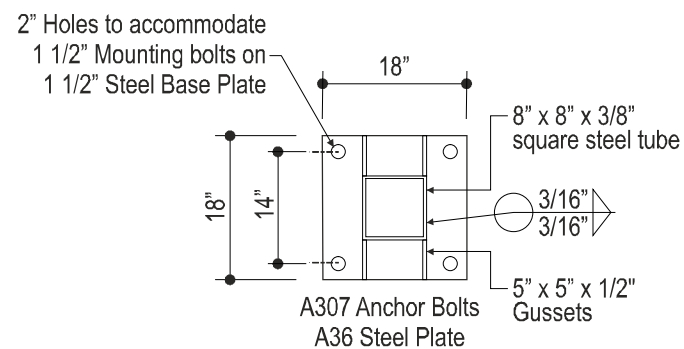


Elevation

Scale: 1/4"=1'-0"

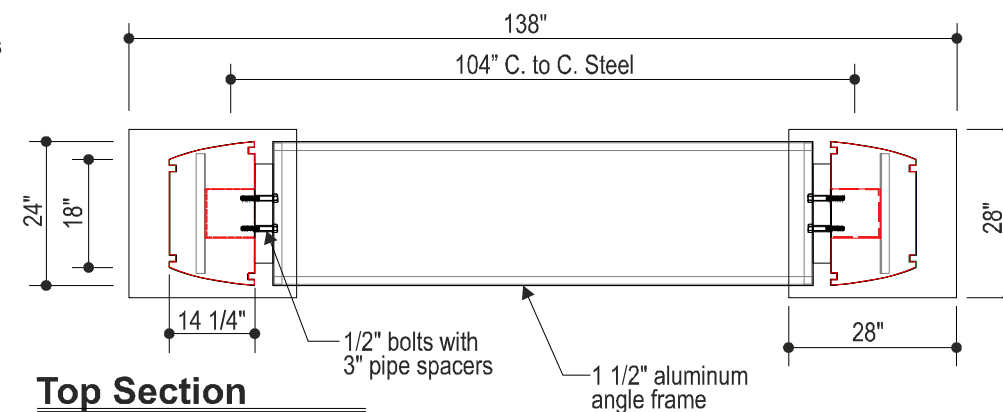
Side

Scale: 1/4"=1'-0"



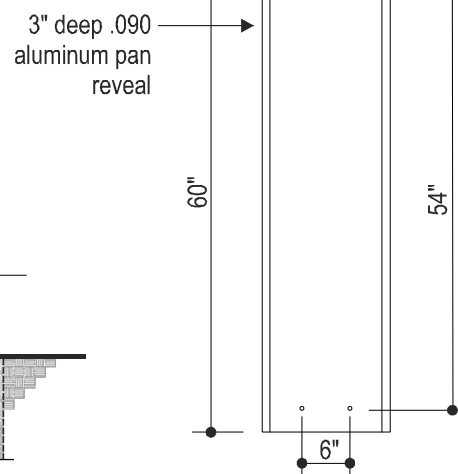
Base Plate Detail

Scale: 1/2"=1'-0" @ 11x17 Qty: (2)



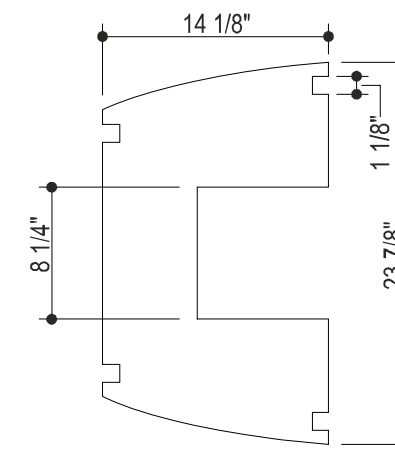
Top Section

Scale: 3/8"=1'-0" @ 11x17



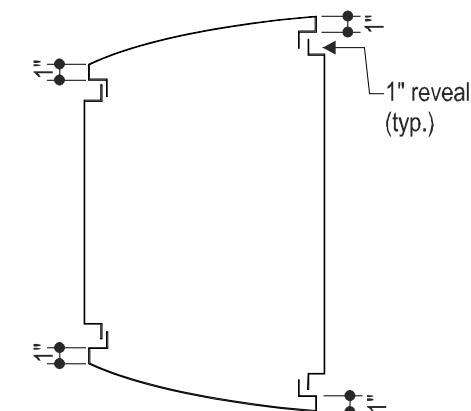
Reveal Detail 1

Scale: 1/2"=1'-0" @ 11x17



.090 Inset Baffle

Scale: 1"=1'-0" @ 11x17



.063 Pole Cover

Scale: 1"=1'-0" @ 11x17



Date: 7/1/21	Project Name: Audi Calabasas	This is an original, unpublished drawing created by R&R Custom Signs. It is submitted for your personal use in conjunction with a project being planned for you by R&R Custom Signs, and shall not be reproduced, used by or disclosed to any firm or corporation for any purpose whatsoever without written permission.	First Revision <input type="checkbox"/>	The requirements of Article 600 of the National Electrical Code and/or other applicable local codes. This includes proper grounding and bonding of the sign.
Scale: As noted	Address: 24650 Calabasas RD		Second Revision <input type="checkbox"/>	
Drawn by: Sign Contractors Inc.	Calabasas, CA 91302		Third Revision <input type="checkbox"/>	

Sign #5